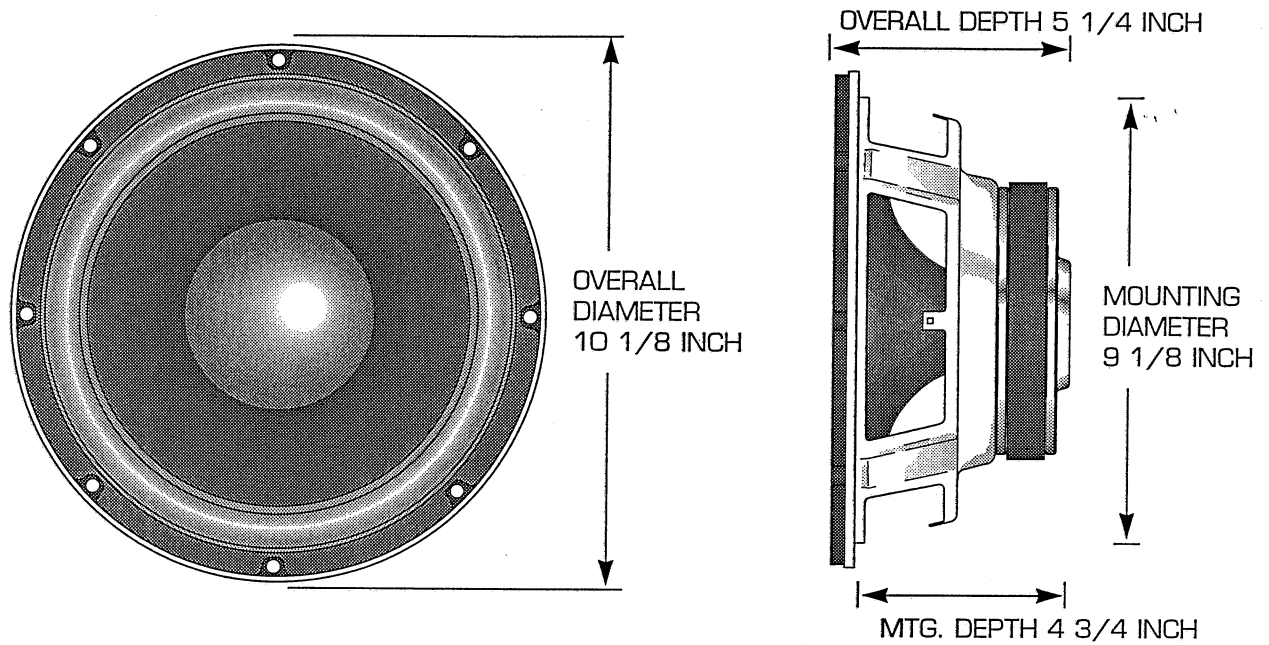


QX10 SPECIFICATIONS

MEASUREMENTS:



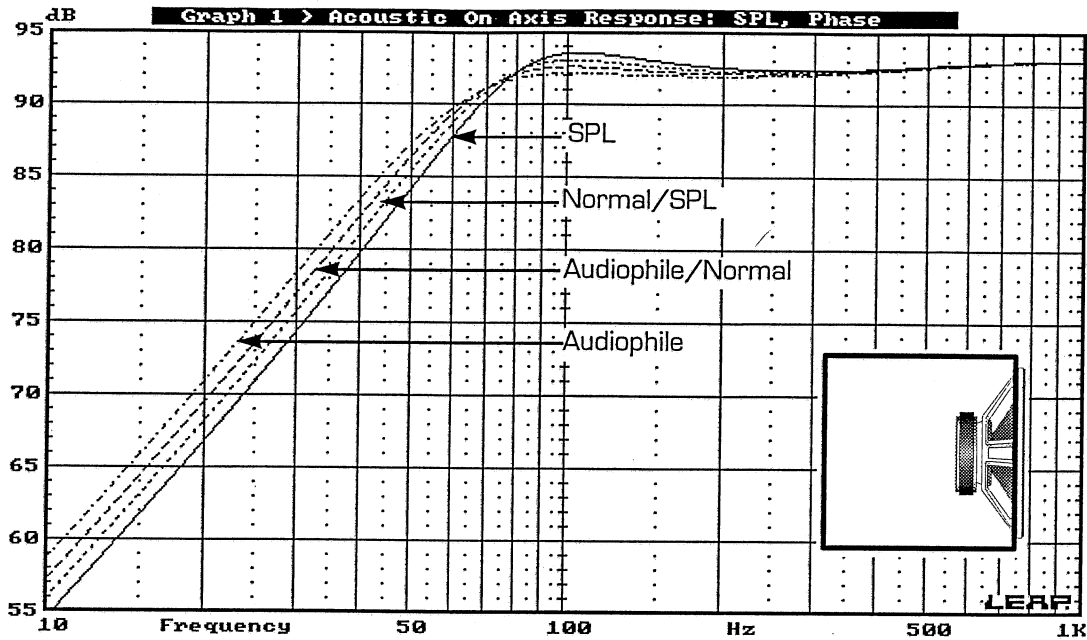
Revc (DC VC Res)	3.22Ω
Levc (Inductance @ 1KHz).....	.47mH
Fo (Res Freq)	33.7Hz
Sd (Piston Area).....	.033m ²
BL (Flux* Length).....	9.56TM
SPLo (SPL at 1w)	88.5dB
Qms (Mech Q)	3.54
Qes (Elec Q)	0.49
Qts (Total Q).....	0.43
Vas (Acous Vol)	52.2liter(1.84ft ³)
Cms (Compliance).....	337.3 μM/N

Mms (Total Mass).....	66.2g
Mmd (Diaphragm Mass)	62.8g
Pe (Thermal Power Handling)	200w
Xmax (Linear Excursion)	6.0mm
Vc (Voice Coil Diameter).....	2.0in
Magnet Weight.....	43oz
Vdd (Driver Displacement).....	138in ³
Mounting Diameter	9 1/8in
Mounting Depth.....	4 3/4in

NOTE: Due to ongoing research and development, all features and specifications, effective 12/98, are subject to change without notice.

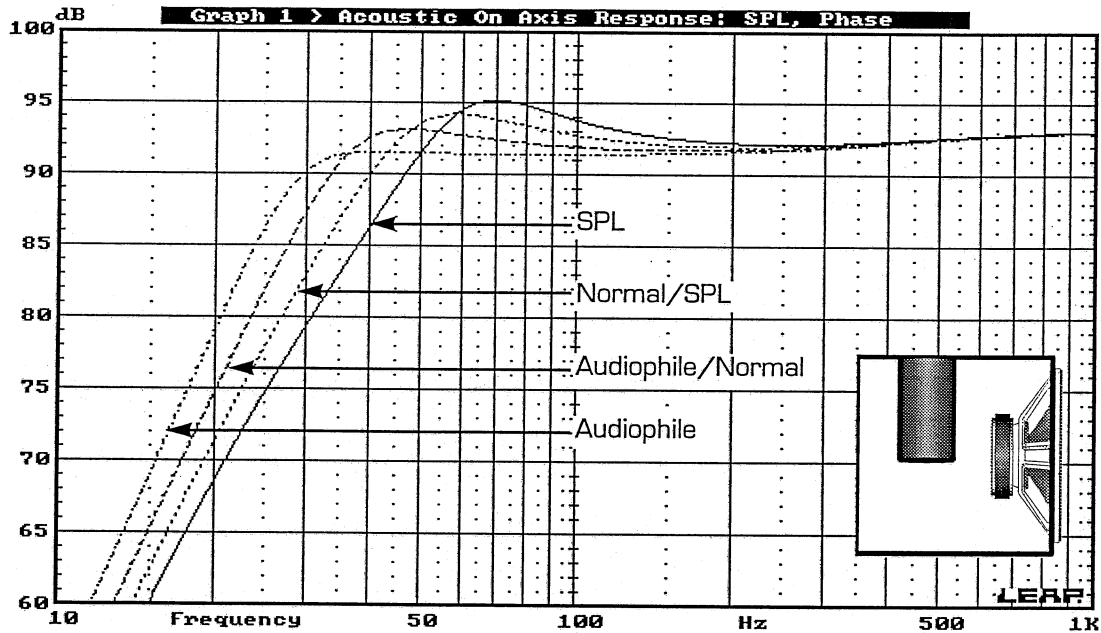
QX10 ENCLOSURE DATA

SEALED



Classification	Volume* (ft ³)
SPL	0.30
Normal/SPL	0.36
Audiophile/Normal	0.43
Audiophile	0.53

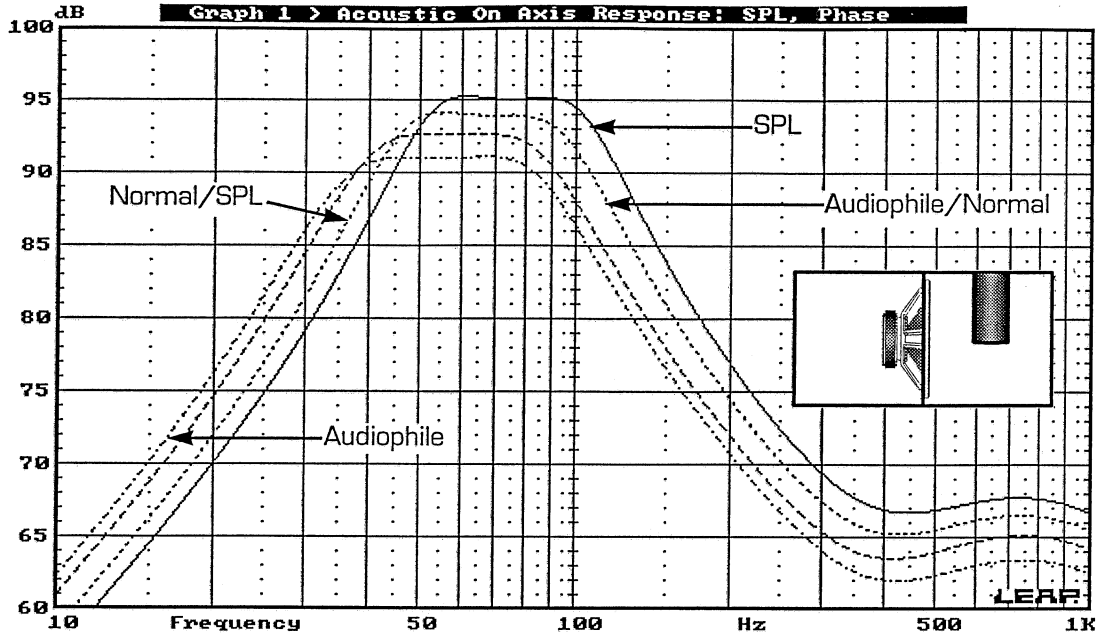
VENTED



Classification	Volume* (ft ³)	Vd (vent diam.)	VI (vent length)	Fb (tuning freq.)
SPL	0.70	3"	10 13/16	43Hz
Normal/SPL	1.00	3"	9 7/16	38Hz
Audiophile/Normal	1.50	3"	8"	33Hz
Audiophile	2.00	3"	8 1/2"	28Hz

QX10 ENCLOSURE DATA

BAND-PASS



TRI-CHAMBER BAND-PASS

