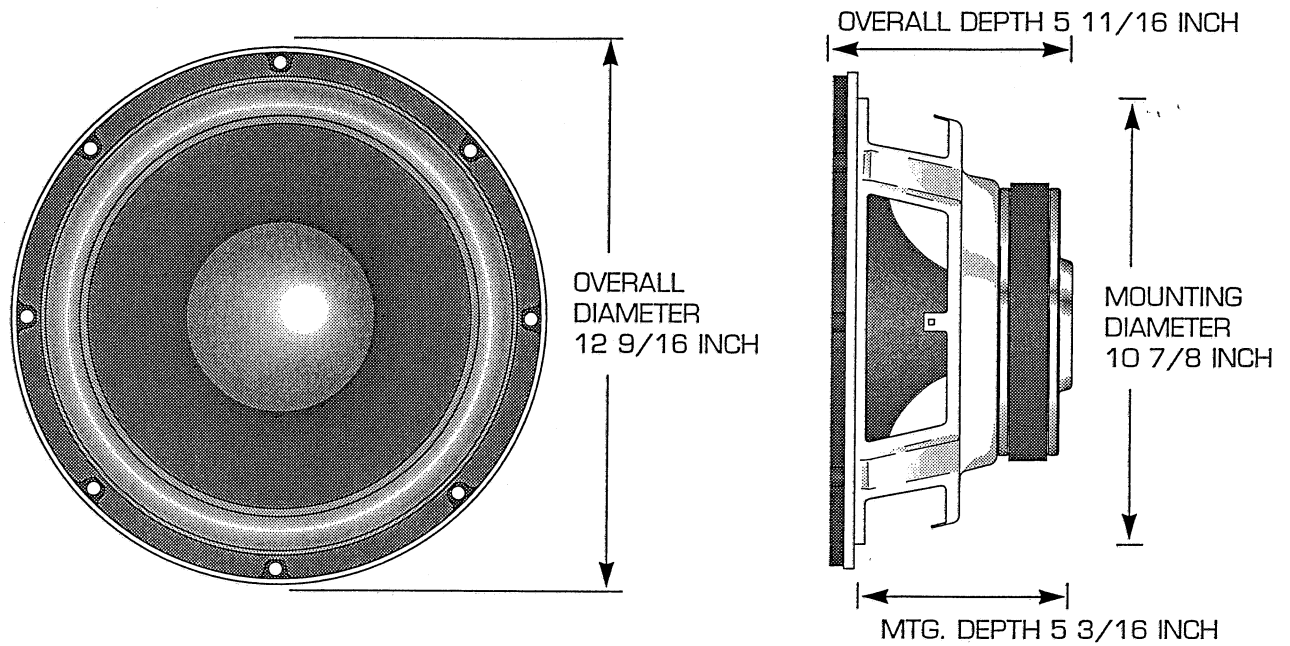


QX12 SPECIFICATIONS

MEASUREMENTS:



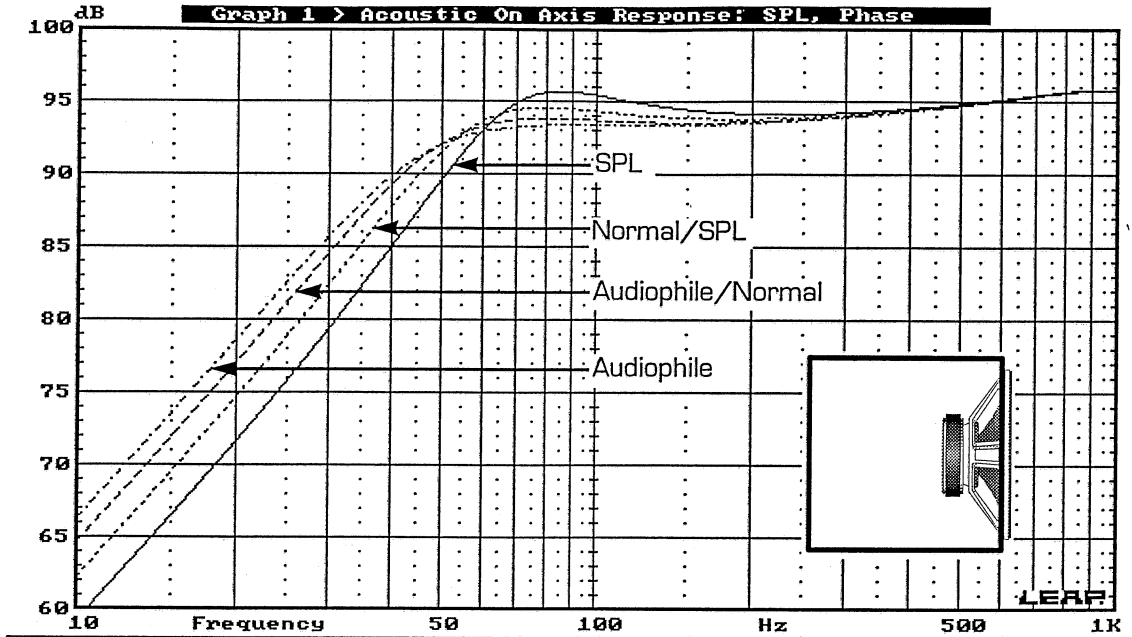
Revc (DC VC Res)	3.27Ω
Levc (Inductance @ 1KHz)47mH
Fo (Res Freq)	29.3Hz
Sd (Piston Area).....	0.053m ²
BL (Flux* Length).....	9.98TM
SPLo (SPL at 1w)	90.7dB
Qms (Mech Q)	3.9
Qes (Elec Q)	0.49
Qts (Total Q).....	0.44
Vas (Acous Vol)	143.8liter(5.08 ft ³)
Cms (Compliance).....	360.6μM/N

Mms (Total Mass).....	81.75g
Mmd (Diaphragm Mass).....	74.73g
Pe (Thermal Power Handling).....	250W
Xmax (Linear Excursion)	6.0mm
Vc (Voice Coil Diameter).....	2.0in
Magnet Weight.....	48oz
Vdd (Driver Displacement).....	224in ³
Mounting Diameter	12 9/16in
Mounting Depth.....	5 3/16in

NOTE: Due to ongoing research and development, all features and specifications, effective 12/98, are subject to change without notice.

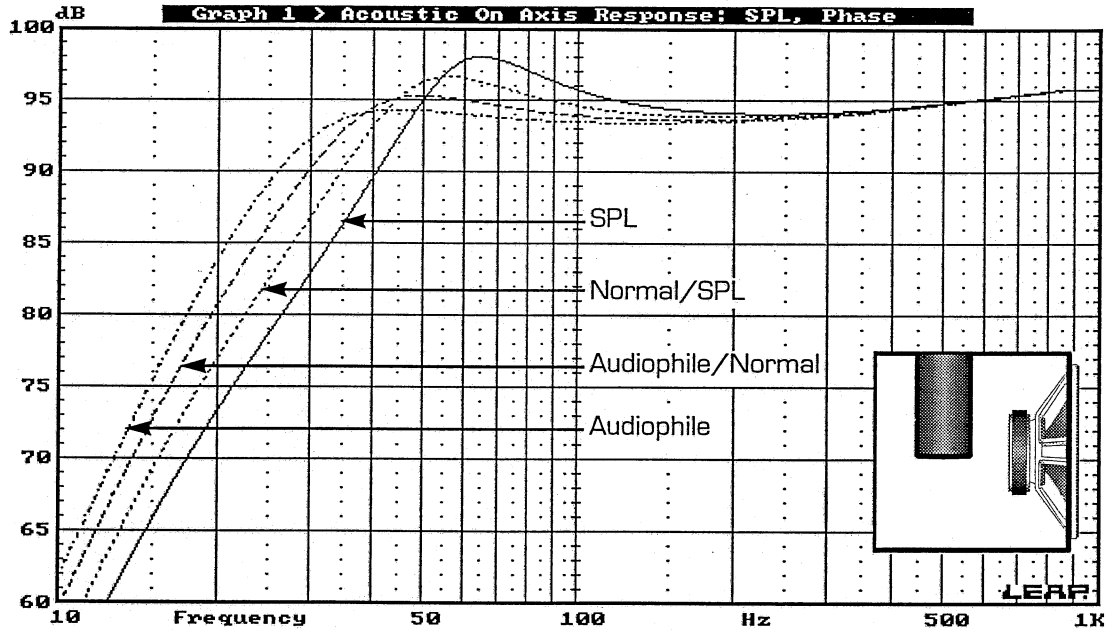
QX12 ENCLOSURE DATA

SEALED



Classification	Volume* (ft ³)
SPL	0.80
Normal/SPL	1.10
Audiophile/Normal	1.50
Audiophile	2.00

VENTED

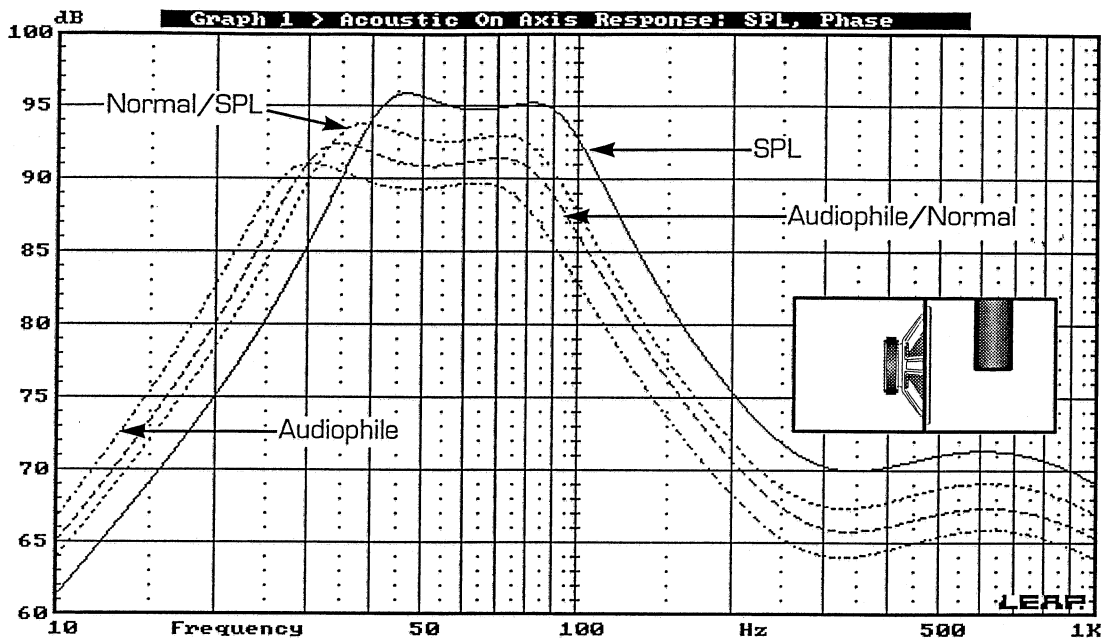


Classification	Volume* (ft ³)	Vd (vent diam.)	VI (vent length)	Fb (tuning freq.)
SPL	1.50	4"	10"	39Hz
Normal/SPL	2.10	4"	10"	33Hz
Audiophile/Normal	2.90	4"	10"	28Hz
Audiophile	4.00	4"	9"	25Hz

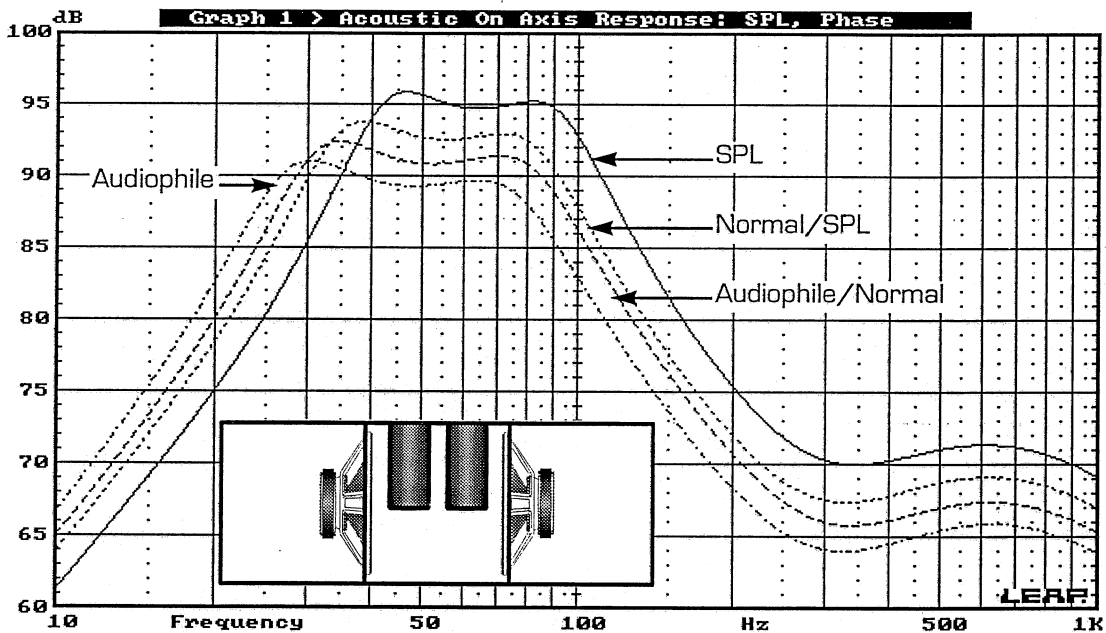
QX12 ENCLOSURE DATA

BAND-PASS

TRI-CHAMBER BAND-PASS



Classification	Vbr (sealed)	Vbf (vented)	Vd (vent diam.)	VI (vent length)	Fb (vent freq.)
SPL	1.00	1.30	4"	4"	59Hz
Normal/SPL	1.40	1.40	4"	6"	52Hz
Audiophile/Normal	1.60	1.30	4"	8"	48Hz
Audiophile	2.00	1.40	4"	10"	43Hz



Classification	Vbr1 (sealed)	Vbr2 (sealed)	Vbf (vented)	Vd (vent no./diam.)	VI (vent length)	Fb (vent freq.)
SPL	1.00	1.00	2.60	2/4"	4"	59Hz
Normal/SPL	1.40	1.40	2.80	2/4"	8"	51Hz
Audiophile/Normal	1.60	1.60	2.60	2/4"	8"	48Hz
Audiophile	2.00	2.00	2.80	2/4"	10"	43Hz