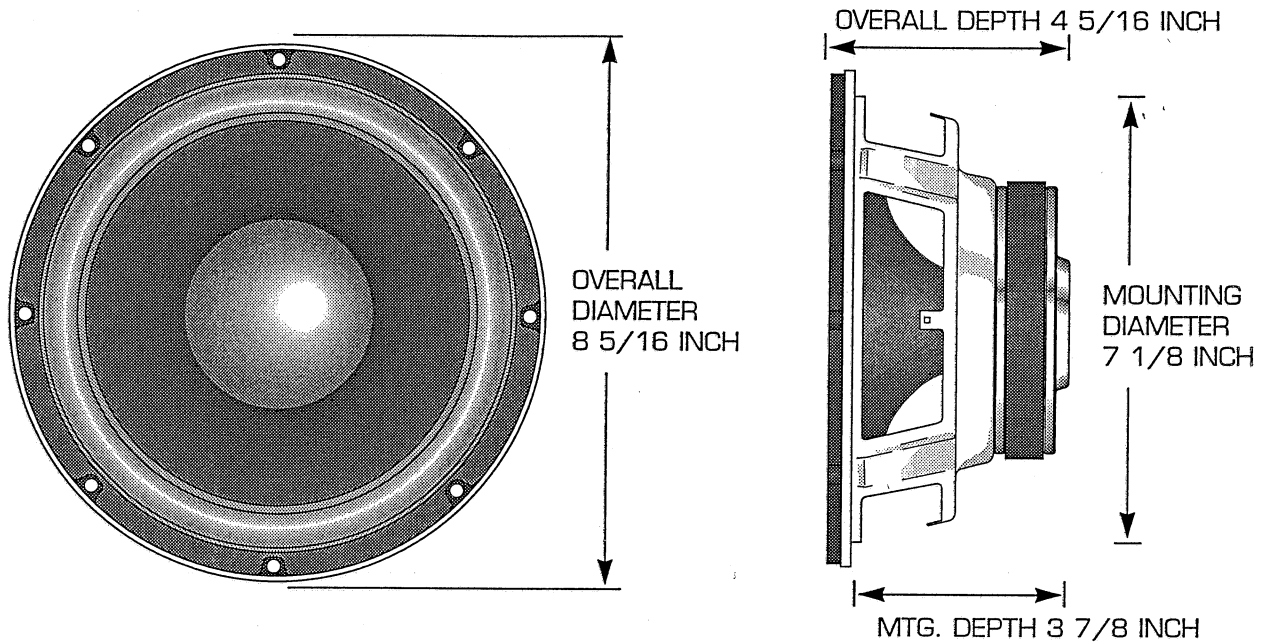


# QX8 SPECIFICATIONS

## MEASUREMENTS:



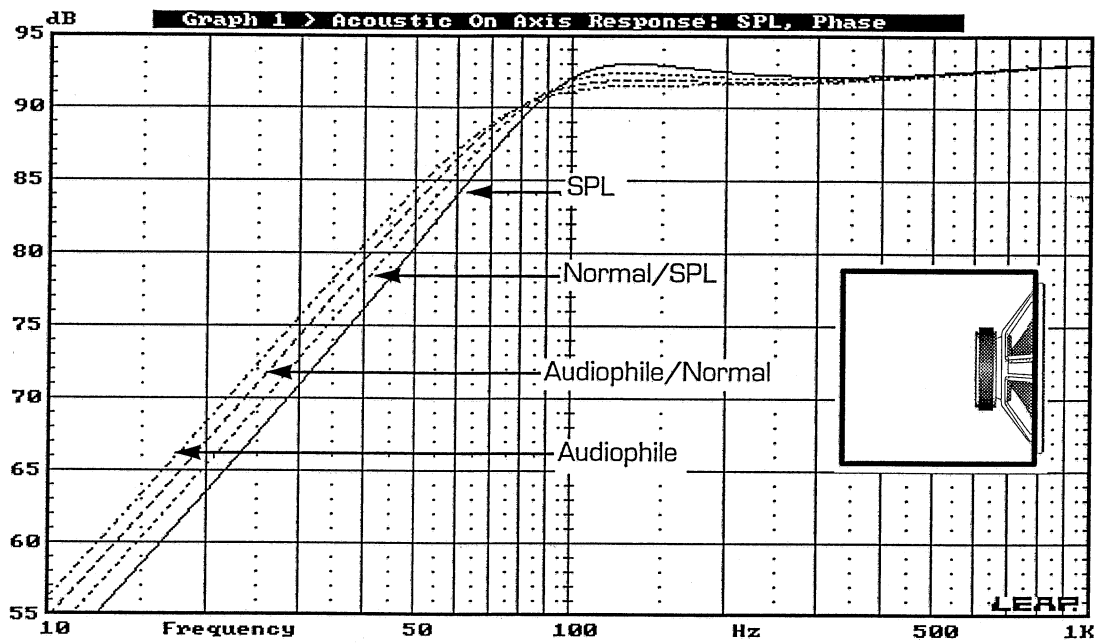
Revc (DC VC Res) .....	3.07Ω
Levc (Inductance @ 1KHz) .....	368mH
Fo (Res Freq) .....	53Hz
Sd (Piston Area).....	022m <sup>2</sup>
BL (Flux* Length).....	5.87 TM
SPLo (SPL at 1w) .....	88.4dB
Qms (Mech Q) .....	3.33
Qes (Elec Q) .....	0.84
Qts (Total Q).....	0.67
Vas (Acous Vol) .....	21.86 liter(0.77 ft <sup>3</sup> )
Cms (Compliance).....	318μM/N

Mms (Total Mass).....	28.20g
Mmd (Diaphragm Mass) .....	26.33g
Pe (Thermal Power Handling) .....	150w
Xmax (Linear Excursion) .....	6.0mm
Vc (Voice Coil Diameter).....	1.5in
Magnet Weight.....	30oz
Vdd (Driver Displacement).....	70in <sup>3</sup>
Mounting Diameter .....	7 1/8in
Mounting Depth.....	3 7/8in

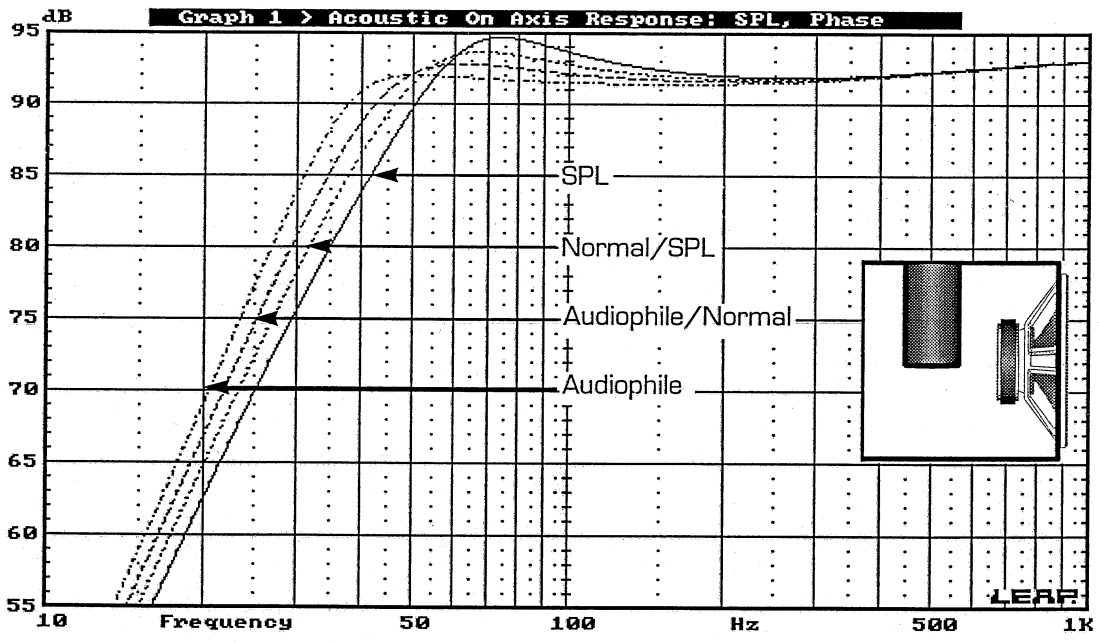
NOTE: Due to ongoing research and development, all features and specifications, effective 12/98, are subject to change without notice.

# QX8 ENCLOSURE DATA

SEALED

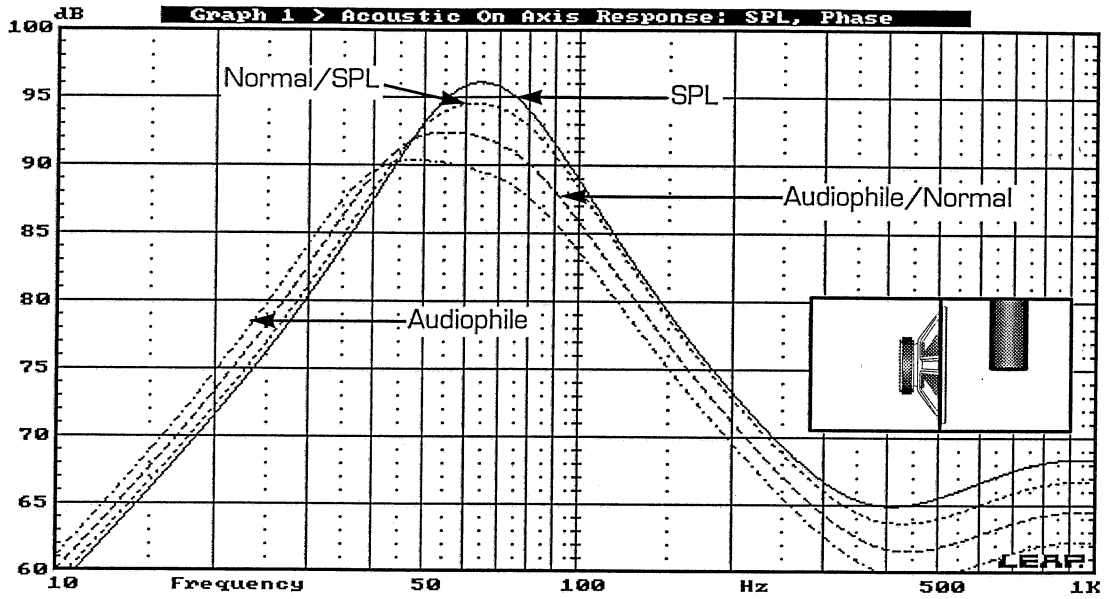


VENTED



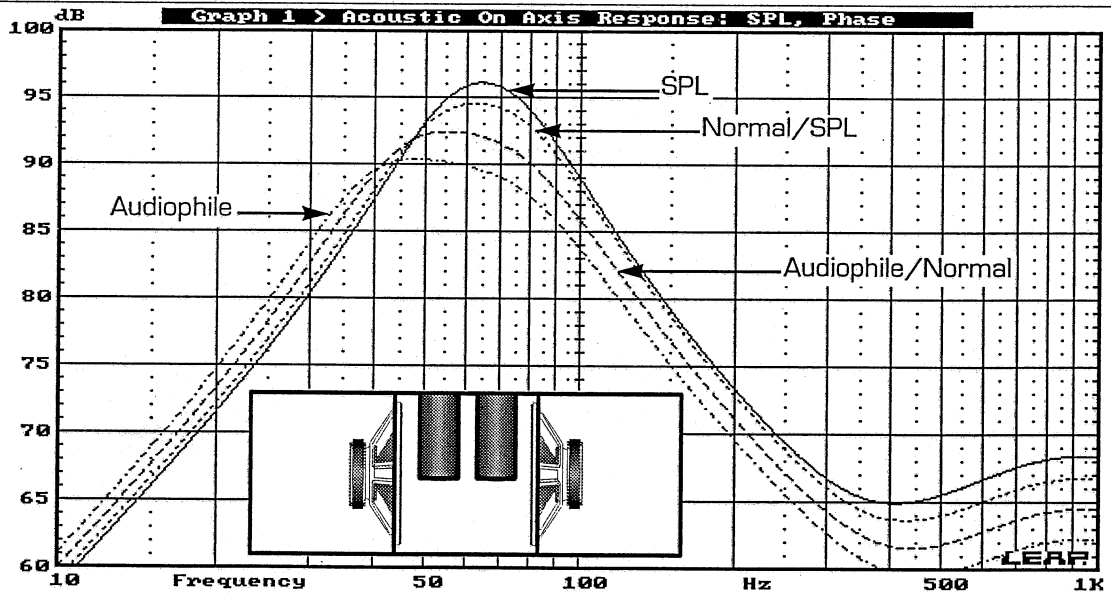
# QX8 ENCLOSURE DATA

BAND-PASS



Classification	Vbr (sealed)	Vbf (vented)	Vd (vent diam.)	VI (vent length)	Fb (vent freq.)
SPL	0.60	0.70	4"	5 1/4"	75Hz
Normal/SPL	0.70	0.60	4"	7 1/2"	72Hz
Audiophile/Normal	0.88	0.65	3"	7"	64Hz
Audiophile	0.90	0.65	3"	6 1/8"	58Hz

TRI-CHAMBER BAND-PASS



Classification	Vbr1 (sealed)	Vbr2 (sealed)	Vbf (vented)	Vd (vent no./diam.)	VI (vent length)	Fb (vent freq.)
SPL	0.60	0.60	1.40	2/4"	5 1/4"	75Hz
Normal/SPL	0.70	0.70	1.20	2/4"	7 1/2"	72Hz
Audiophile/Normal	0.88	0.88	1.30	2/3"	4 5/8"	64Hz
Audiophile	0.90	0.90	1.30	2/3"	6 1/16"	58Hz