



PHOENIXGOLD™

SUBWOOFER  
OWNER'S MANUAL



**FOR MODELS:**

RSd10/10d

RSd12/12d



*Congratulations on your purchase of high quality Phoenix Gold audio electronics. At Phoenix Gold our highest concern is musical reproduction. We appreciate that you chose our product. Through years of engineering expertise, hand craftsmanship and critical testing procedures, we have created a wide range of products to give your system all the clarity and richness you deserve.*

*Please read your warranty and retain your receipt and original carton for possible future use.*

*Great product and competent installations are only one piece of the puzzle when it comes to your system. Make sure that your install is using only the best installation accessories. Phoenix Gold manufactures everything from RCA cables and speaker wire to power/ground cable and battery connectors. With proper installation and accessories your system will sound the best that it can.*

*For more information about Phoenix Gold electronics, speakers and accessories please visit [www.phoenixgold.com](http://www.phoenixgold.com)*



## WARRANTY

### LIMITED WARRANTY SPEAKERS (USA)

Phoenix Gold warrants this product to be free of defects in materials and workmanship for a period of one (1) year from the original date of purchase.

This warranty is not transferable and applies only to the original purchaser from an authorized Phoenix Gold dealer. Should service be necessary under this warranty for any reason due to manufacturing defect or malfunction, Phoenix Gold will (at its discretion), repair or replace the defective product

with new or remanufactured product at no charge. Damage caused by the following is not covered under warranty: accident, misuse, abuse, product modification or neglect, failure to follow installation instructions, unauthorized repair attempts, misrepresentations by the seller. This warranty does not cover incidental or consequential damages and does not cover the cost of removing or reinstalling the unit(s). Cosmetic damage due to accident or normal wear and tear is not covered under warranty.

**WARRANTY IS VOID IF THE PRODUCT'S SERIAL NUMBER HAS BEEN REMOVED OR DEFACED.**

### IF YOU NEED SERVICE ON YOUR PHOENIX GOLD PRODUCT:

Phoenix Gold encourages product owners to first contact their original Phoenix Gold reseller to determine whether the issue can be resolved without sending the product back to Phoenix Gold.

If a return is necessary, the reseller will contact Phoenix Gold to obtain authorization for the return. All returns require a Return Authorization number from Phoenix Gold before shipping the product to Phoenix Gold's service facility. If a product owner is unable to return a product to the original reseller, the owner can contact Phoenix Gold directly to obtain a Return Authorization number. Units returned to Phoenix Gold without an RA number may be subject to refusal or delays.

All warranty returns should be sent to Phoenix Gold's Product Service facility freight-prepaid and must be accompanied by proof of purchase (a copy of the original sales receipt).

Non-defective items received may be returned freight-collect. Customer is responsible for shipping charges and insurance when sending the product to Phoenix Gold. Freight damage on returns is not covered under warranty.

### FOR SERVICE INFORMATION IN THE U.S.A. PLEASE CALL:

Phoenix Gold Customer Service: (503) 286-9300 or (800) 950-1449 during normal business hours (8:30 AM – 5:00 PM Pacific Standard Time)

### AFTER A RETURN AUTHORIZATION NUMBER HAS BEEN ISSUED, THE PRODUCT MAY BE SHIPPED TO THE FOLLOWING ADDRESS:

Phoenix Gold Product Service  
9269 N. Bradford St. Portland, OR 97203

### PHOENIX GOLD INTERNATIONAL, INC

9300 North Decatur St. Portland, OR 97203  
(do not send product for repair to this address)

### INTERNATIONAL WARRANTIES:

Products purchased outside the United States of America are covered only by that country's Authorized Phoenix Gold reseller and not by Phoenix Gold International, Inc. Consumers needing service or warranty information for these products must contact that country's reseller for information.

**Use the following area record basic information about your purchase.**

Model Number \_\_\_\_\_

Serial Number (if available) \_\_\_\_\_

Date of Purchase \_\_\_\_\_

Store/Reseller Purchased from \_\_\_\_\_



## ENCLOSURE INFORMATION

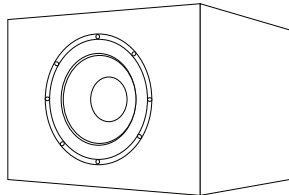
The RSd subwoofers are over engineered and overbuilt in virtually every way conceivable. Its very important that the enclosure is built to these same exacting standards. The enclosure must be comprised of at least .75 inch MDF. Screws or air staples are excellent construction fasteners when used with a strong bonding "yellow" wood working glue that can fill joint gaps. Be sure that the enclosure's panels are airtight at all joining seams. Lining the walls with a polyester matting 1 to 3 inches thick is sufficient.

Your PG dealer has extensive knowledge, tools and the experience needed for the design and construction necessary for your RSd subwoofer application. We also recommend you consult with your dealer for specific technical assistance related to your installation.

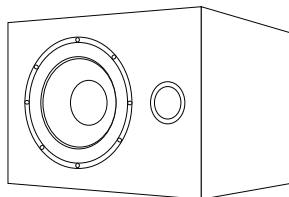
The charts provided should be used as a reference when building an enclosure for your RSd subwoofer. The charts contain several enclosure types. The Sound Quality enclosure provides deeper, tighter, and more musical output to truly reproduce the original source material. The SPL enclosure fits the basshead's need for maximum output while sacrificing some sound quality.

## ENCLOSURE RECOMMENDATIONS

Please note that these are only recommendations for what Phoenix Gold considers optimal performance. Your box size may differ from what is listed.

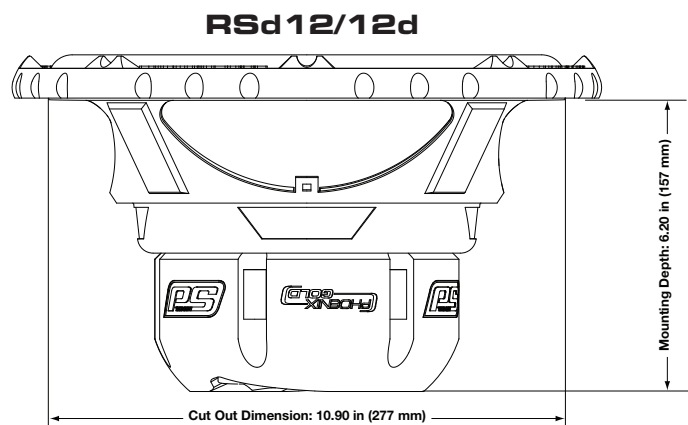
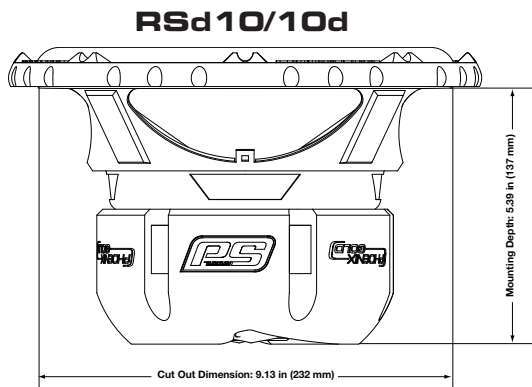


	SEALED			
	RSd10	RSd10D	RSd12	RSd12D
SQ	0.5 cu ft	0.5 cu ft	1.2 cu ft	1.2 cu ft
SPL	0.3 cu ft	0.3 cu ft	0.78 cu ft	0.78 cu ft



	VENTED			
	RSd10	RSd10D	RSd12	RSd12D
SQ	2.0 cu ft	2.0 cu ft	3.2 cu ft (heavy damping)	3.2 cu ft (heavy damping)
Vd / VI	2 in / 7 in	2 in / 7 in	3 in / 6 in	3 in / 6 in
SubSonic	@ 20Hz	@ 20Hz	@ 20Hz	@ 20Hz
SPL	1.0 cuft	1.0 cuft	1.8 cuft	1.8 cuft
Vd / VI	2 in / 4 in	2 in / 4 in	3.5 in / 7 in	3.5 in / 7 in
SubSonic	@ 30Hz	@ 30Hz	30Hz	@ 30Hz
Peak	+4dB @ 50Hz	+4dB @ 50Hz	+6.75dB @ 50Hz	+6.75dB @ 50Hz

## WOOFER MOUNTING DIMENSIONS





**FEATURES:**

**PERFORMANCE DESIGN**

Developed and CAE/CAD optimized by Phoenix Gold from the ground up to set new standards in performance.

**INJECTION MOLDED ALUMINUM PLATED GRAINED POLYPROPYLENE CONE**

Injection molded to be very light and rigid for excellent signal tracking.

**BUTYL RUBBER SURROUND**

Advanced butyl rubber surround is more rugged than foam, resists moisture and UV, and is extremely well damped.

**FLAT LINEAR ROLL SPIDER (on select models)**

Reduces distortion and provides maximum voice coil centering.

**RIGID POWDER COATED STEEL FRAME**

**OPTIMIZED MAGNET/MOTOR STRUCTURE**

Results in high efficiency and clarity of sound reproduction.

**SPECIFICATIONS:** Due to continual product improvement, all specifications subject to change without notice.

T/S Parameters	RSd10	RSd10d	RSd12	RSd12d
Re (Dcr)	3.45	1.65/parallel	3.7	1.85/parallel
Fo (Hz)	26.8	28.3	22.0	22.4
Sd (SqM)	0.0314	0.0314	0.0483	0.0483
BL (TM)	12.39	8.201	12.43	8.503
SPLo (dB)	84	84	84	84
Qms	5.37	4.8	5.78	4.72
Qes	0.48	0.53	0.61	0.63
Qts	0.44	0.48	0.55	0.55
Vas (cu M)	.03913	.03668	.09405	.09594
Cms (uM/N)	279.21	261.73	283.85	289.58
Mmd (gms)	122.85	117.87	178.28	168.60
Power Handling (Minimum RMS/Peak)	50W/500W	50W/500W	50W/500W	50W/500W
Xmax (mm)	13.5	13.5	13.5	13.5
VC (in)	2.0	2.0	2.0	2.0
Frequency Response (Hz)	25-200	25-200	20-200	20-200
Impedance (ohm)	4	4/4	4	4/4
Mounting Diameter (mm)	232	232	277	277
Mounting Depth (mm)	137	137	157	157