



## RYVAL

Component System  
Owner's Manual

For Models: V5C, V65C

### FEATURES:

COMPRENDS :

#### LAMINATE-TREATED PAPER CONE

Advanced laminating process produces a rigid cone with exceptional dampening qualities

ENCEINTE ACOUSTIQUE PLAQUÉE

Des procédés avancés de superposition de couches donnent un excellent ratio de raideur poids ainsi qu'un amortissement supérieur

#### 19MM BALANCED DRIVE TWEETER

Excellent reproduction of high frequencies

DES HAUT-PARLEURS D'AIGUS COMPENSÉS DE 19 MM POUR LA VOITURE

Excellent pour reproduire les fréquences acoustiques du registre aigu

#### HIGH EXCURSION TRIPLE LAYER UV TREATED BLACK FOAM SURROUND

Premium design for long term reliability

DES HAUTS PARLEURS AMBIOPHONIQUES, RECOUVERTS DE TROIS COUCHES DE MOUSSE NOIRE, TRAITÉS CONTRE LES RAYONS UV, POSSÉDANT UNE BONNE COURSE

Le design parfait pour la fiabilité à long terme.

#### POLYIMIDE VOICE COIL

High temperature light-weight voice coil structure for increased sensitivity

UNE BOBINE ACOUSTIQUE DE POLYAMIDE

La structure légère et résistante aux températures élevées de la bobine acoustique augmente la sensibilité.

#### RIGID POWDER COATED STEEL FRAME

CAD Designed for precise motor alignment

UNE STRUCTURE D'ACIER POUDRÉ RIGIDE

La conception assistée par ordinateur permet un alignement précis



Congratulations on your purchase of high quality Phoenix Gold audio electronics. At Phoenix Gold our highest concern is musical reproduction. We appreciate that you chose our product. Through years of engineering expertise and critical testing procedures, we have created a wide range of products to give your system all the clarity and richness you deserve.

Great product and competent installations are only one piece of the puzzle when it comes to your system. Make sure that your install is using only the best installation accessories. Phoenix Gold manufactures everything from RCA cables and speaker wire to power/ground cable and battery connectors. With proper installation and accessories your system will last for years and perform to peak audio standards.

Please read your warranty and retain your receipt and original carton for possible future use.

For more information about Phoenix Gold electronics, speakers and accessories please visit



## Ryval® Speakers

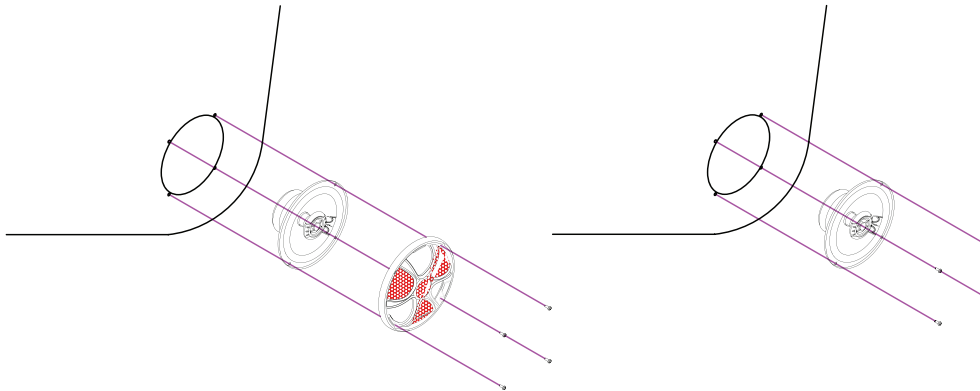
### Component System Owner's Manual

#### BASIC INSTALLATION

Selecting the placement of your new Ryval Coaxial speakers could be as easy as using the existing factory locations or may require you to create a new location. Speaker placement in the door, dash, or rear deck is the most common. See your local Phoenix Gold Dealer for additional location and mounting assistance.

#### DOORS /REAR DECK

1. Many vehicles already have factory locations (Figure 1.) to house the "DROP IN" feature of the Ryval Coaxial line. If no existing locations are available or are not used, check the desired location for adequate cutout area and any depth obstructions. Make sure to allow sufficient clearance for window tracks, structural braces, trunk lid springs, etc.
2. Assuming enough area and depth is available, use the provided template and trace the speaker cutout and mounting holes onto the surface of the mounting location.
3. If the mounting surface is not structurally strong enough to accommodate screws, (i.e. plastic, cardboard) use the provided speed clips which will act as a nut for the supplied screws.
4. Always provide water protection if not supplied in the vehicle. We suggest using a rain shield or equivalent. If in doubt, please contact your Phoenix Gold Dealer.



#### SPEAKER INSTALLATION WITHOUT GRILL

When installing your new coaxial speakers in the factory locations there may not be room enough to use the provided Ryval grills. Don't worry; these speakers perform just as well behind the factory grill.

#### SPEAKER INSTALLATION WITH GRILL

For more custom applications, or cases where the factory grill will not be used, a high excursion protective grill has been provided. Please read the section above on installation for concerns about custom installations.

#### TWEETER ADJUSTMENT

The 20mm tweeters can pivot in their housing. When mounted low in the door, angle the tweeter up for better high frequency performance. In rear deck or dashboard installations, angle the tweeter away from the rear glass to reduce destructive reflections.

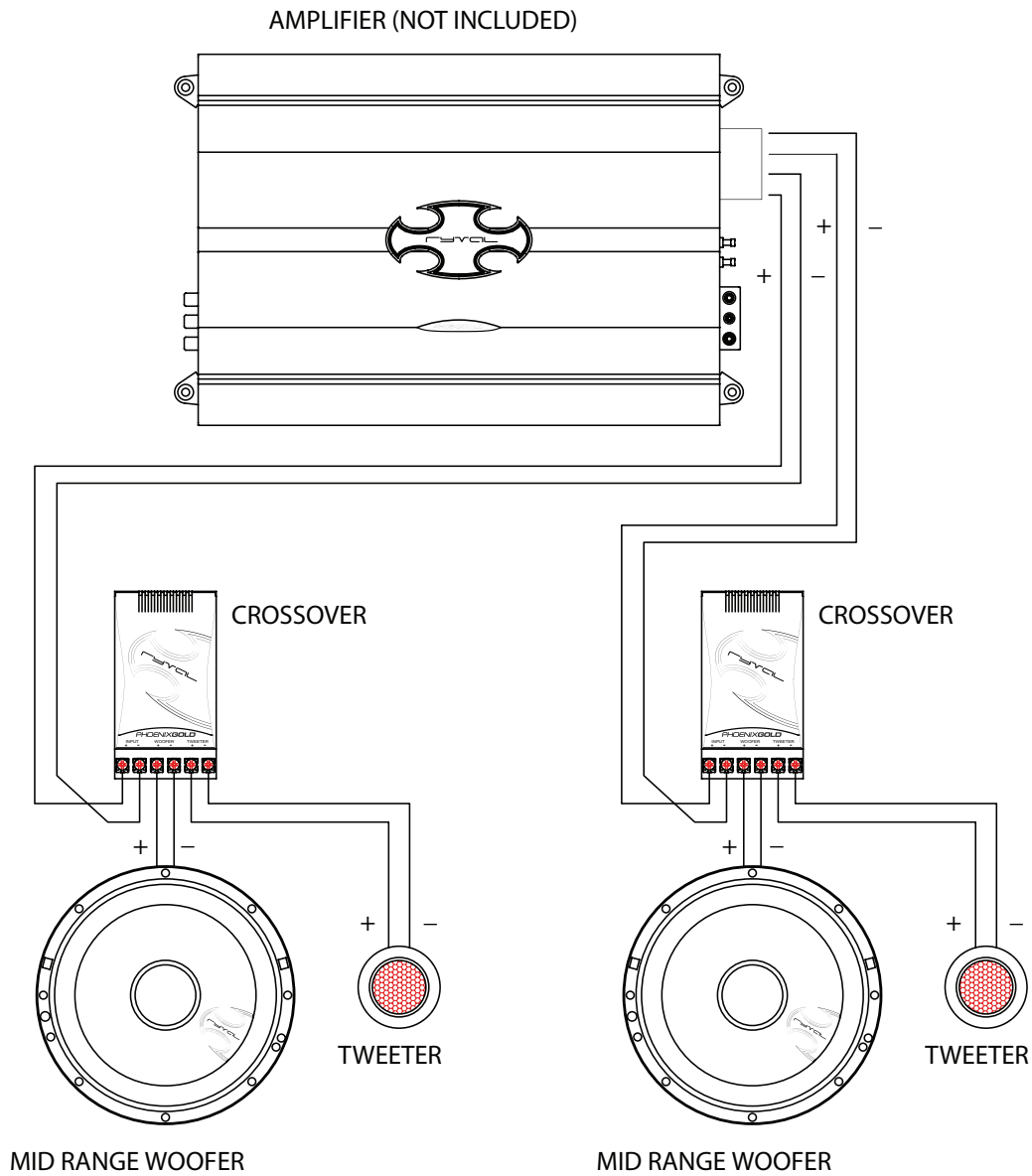
#### CROSSOVER HOOKUP

The crossover provided with the Ryval component set is optimized to give the most accurate in-car response. Use only the crossover provided; the use of any other crossover may result in damage to one or more of the Ryval series components.

The basic component system hookup requires signal, via speaker wire, to run from your power amplifier (not included in this set) to each of the two crossovers that come with your Ryval component system, designate one for the left channel and one for the right. Connect that signal to the signal input on the crossover. From there connect, your component woofer and tweeters to the corresponding crossover using the correct polarity. (+ to +, - to -)

### CROSSOVER INSTALLATION

When selecting a mounting location for the crossover it is suggested to mount within the cab of the vehicle, such as the kick panels or near the amplifier; if you must mount them in the door, mount them between the moisture barrier and the innermost door panel. **MOISTURE DAMAGE WILL VOID YOUR WARRANTY.**





## Ryval® Speakers

### Component System Owner's Manual

#### TWEETER INSTALLATION - FLUSH MOUNT

With a variety of supplied mounting options, the Ryval series tweeter is easy to install in any vehicle. Each Ryval component set comes with a flush mount and surface mount installation kit. For other custom mounting configurations, please contact your authorized Phoenix Gold Dealer.

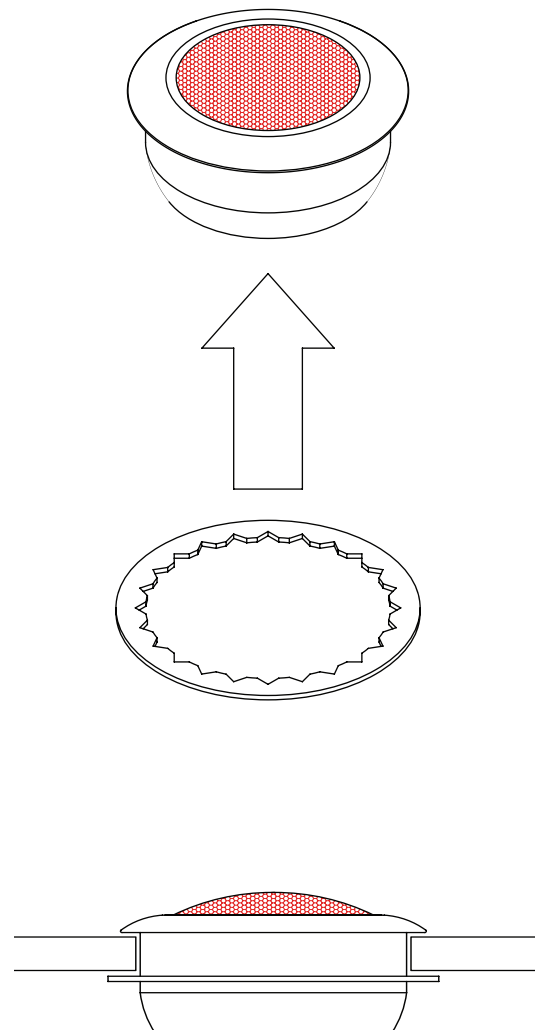
**Flush Mount:** For optimal tweeter installation, use the Flush Mount option. The Flush mount requires 3/4" depth and a 5/8" mounting hole in the mounting surface.

The Ryval tweeters have been designed to pivot in their housing. This allows the user to pivot the tweeter during the installation process for optimum listening results.

For best results always try to maintain equal path lengths between the right and the left tweeter and the listening position. This is usually accomplished by mounting as low and deep as possible in a kick panel installation, or high and deep in a dash board installation. Be cautious in dash board installations not to reflect the tweeter off of the windshield. This increases reflections and can greatly diminish the overall system listening quality.

For door panel installations try to angle the tweeters toward the listener to optimize high frequency performance.

#### TWEETER ASSEMBLY - FLUSH MOUNT



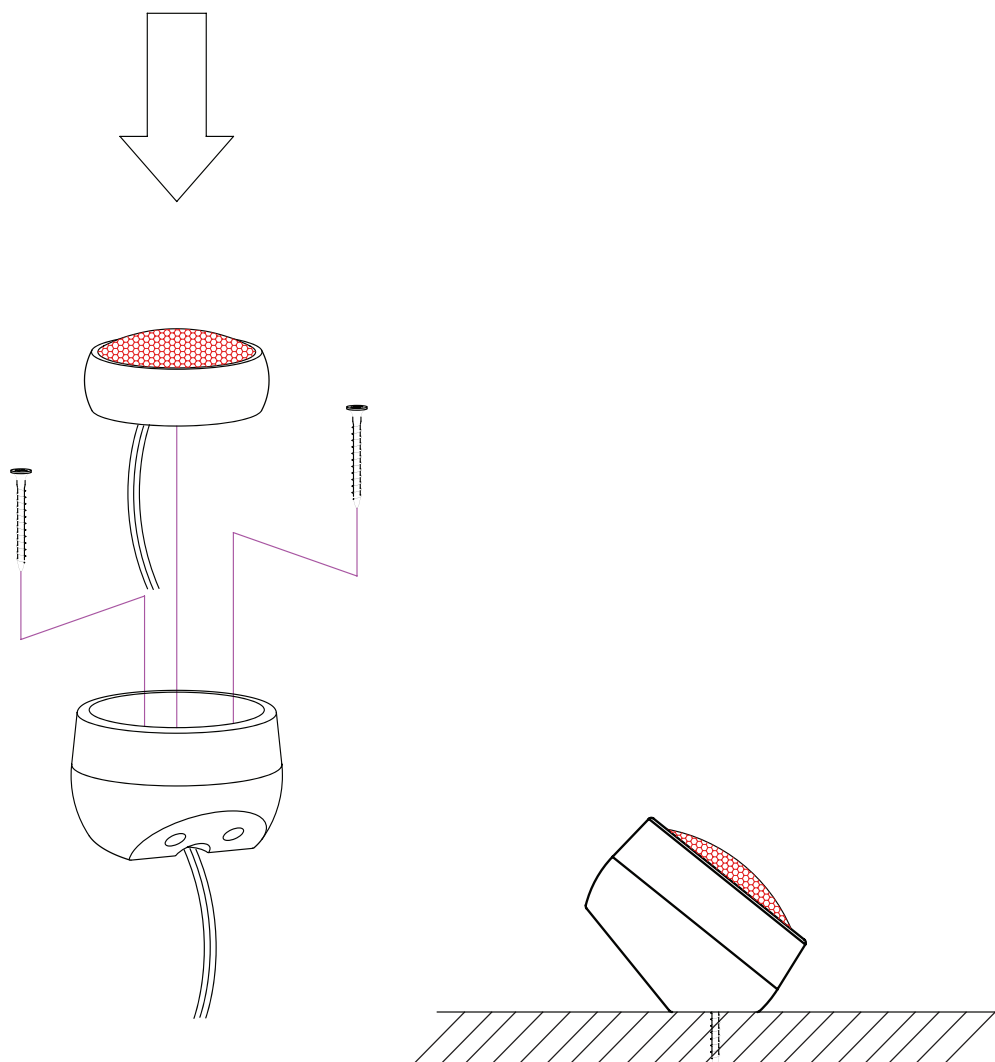
### TWEETER INSTALLATION - SURFACE MOUNT

With a variety of supplied mounting options, the Ryval series tweeter is easy to install in any vehicle. Each Ryval component set comes with a flush mount and surface mount installation kit. For other custom mounting configurations, please contact your authorized Phoenix Gold Dealer.

Surface Mounting Options: Screws are provided when cutting a hole in the door panel or other mounting surface is not an option. Make sure that the surface mount location is free of passenger movement that might damage the tweeter.

For best results always try to maintain equal path lengths between the right and the left tweeter and the listening position. This is usually accomplished by mounting as low and deep as possible in a kick panel installation, or high and deep in a dash board installation. Be cautious in dash board installations not to reflect the tweeter off of the windshield. This increases reflections and can greatly diminish the overall system listening quality. For door panel installations try to angle the tweeters toward the listener to minimize cross cancellation.

### TWEETER ASSEMBLY - SURFACE MOUNT



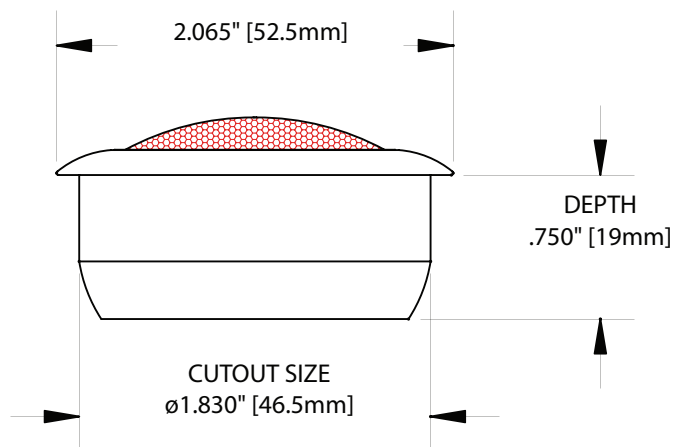
## Ryval® Speakers

### Component System Owner's Manual

**SPECIFICATIONS:** Due to continual product improvement, all specifications subject to change without notice.

*NB : Les spécifications sont sujettes à changer sans préavis en raison de l'amélioration continue du produit*

T/S Parameters	V5C	V65C
Re (Dcr) Ohms	3.5	3.46
Fo (Hz)	114.9	84.3
Sd (SqM)	0.0095	0.0133
BL TM	3.351	4.096
SPL (dB) 2.83v/1m	91.5	92.3
Qms	5.786	4.38
Qes	1.474	1.122
Qts	1.148(3.766)	0.893(8.679)
Vas (Liters) CuFt	0.133	0.306
Cms (uM/N)	2.93	346.9
Mms (gms)	6.552	10.26
Power Handling (RMS)	50 W	50 W
Power Handling (Max)	200 W	200 W
VC (in)	1	1
Frequency Response (Hz)	80-20K	65-20K
Impedance (ohms)	4	4
Cut Out Dimension	(120) 4.75	(144) 5.6875
Mounting Depth (mm) Ins.	(55) 2.1875	(64) 2.5





#### WARRANTY

##### LIMITED WARRANTY SPEAKERS (USA)

Phoenix Gold warrants this product to be free of defects in materials and workmanship for a period of one (1) year from the original date of purchase.

This warranty is not transferable and applies only to the original purchaser from an authorized Phoenix Gold dealer. Should service be necessary under this warranty for any reason due to manufacturing defect or malfunction, Phoenix Gold will (at its discretion), repair or replace the defective product with new or remanufactured product at no charge. Damage caused by the following is not covered under warranty: accident, misuse, abuse, product modification or neglect, failure to follow installation instructions, unauthorized repair attempts, misrepresentations by the seller. This warranty does not cover incidental or consequential damages and does not cover the cost of removing or reinstalling the unit(s). Cosmetic damage due to accident or normal wear and tear is not covered under warranty.

##### IF YOU NEED SERVICE ON YOUR PHOENIX GOLD PRODUCT:

Phoenix Gold encourages product owners to first contact their original Phoenix Gold reseller to determine whether the issue can be resolved without sending the product back to Phoenix Gold.

If a return is necessary, the reseller will contact Phoenix Gold to obtain authorization for the return. All returns require a Return Authorization number from Phoenix Gold before shipping the product to Phoenix Gold's service facility. If a product owner is unable to return a product to the original reseller, the owner can contact Phoenix Gold directly to obtain a Return Authorization number. Units returned to Phoenix Gold without an RA number may be subject to refusal or delays.

All warranty returns should be sent to Phoenix Gold's Product Service facility freight-prepaid and must be accompanied by proof of purchase (a copy of the original sales receipt). Non-defective items received may be returned freight-collect. Customer is responsible for shipping charges and insurance when sending the product to Phoenix Gold. Freight damage on returns is not covered under warranty.

##### FOR SERVICE INFORMATION IN THE U.S.A. PLEASE CALL:

Phoenix Gold Customer Service: (503) 286-9300 or (800) 950-1449 during normal business hours (8:30 AM – 5:00 PM Pacific Standard Time)

##### AFTER A RETURN AUTHORIZATION NUMBER HAS BEEN ISSUED, THE PRODUCT MAY BE SHIPPED TO THE FOLLOWING ADDRESS:

Phoenix Gold Product Service  
9269 N. Bradford St. Portland, Or 97203

##### PHOENIX GOLD

9200 North Decatur St. Portland, OR 97203  
(do not send product for repair to this address)

##### INTERNATIONAL WARRANTIES:

Products purchased outside the United States of America are covered only by that country's Authorized Phoenix Gold reseller and not by Phoenix Gold International, Inc. Consumers needing service or warranty information for these products must contact that country's reseller for information.

Use the following area record basic information about your purchase.

Model Number \_\_\_\_\_

Serial Number (if available) \_\_\_\_\_

Date of Purchase \_\_\_\_\_

Store/Reseller Purchased from \_\_\_\_\_

**Ryval®Speakers****Component System Owner's Manual****GARANTIE****GARANTIE LIMITÉE SUR LES ARTICLES ÉLECTRONIQUES (É.-U)**

Phoenix Gold garantit que ce produit est exempt de défaut matériel et de main d'oeuvre pour une période d'une (1) année à compter de la date d'achat originale.

Cette garantie n'est pas transférable de l'acheteur original à toute autre personne. Si une réparation s'avère nécessaire en vertu de cette garantie, Phoenix Gold fera réparer ou remplacera (à sa discrétion) sans frais le produit défectueux avec un nouveau ou un produit remis à neuf. Les dommages découlant des situations suivantes ne sont pas couverts par cette garantie : accident, mauvais usage, abus, modification du produit ou négligence, omission de suivre les directives d'installation, tentatives non autorisées de le réparer, assertions inexactes du vendeur. Cette garantie ne couvre pas les dommages occasionnels ou corrélatifs ni le coût d'enlèvement ou de réinstallation du/des produit/s. Les dommages esthétiques découlant d'un accident ou d'une usure normale ne sont pas couverts en vertu de cette garantie.

La durée de toutes les garanties implicites applicables est limitée à la période de la garantie expresse énoncée aux présentes, et ce, à compter de la date de l'achat original au détail, et aucune autre garantie, exprès ou implicite, ne s'appliquera à ce produit par la suite. Certains États ou certaines provinces n'autorisent pas de limites aux garanties implicites. Par conséquent, ces exclusions peuvent ne pas s'appliquer pour vous. Cette garantie vous accorde des droits légaux spécifiques et vous pouvez avoir également d'autres droits qui varient d'un/e État/province à un/e autre.

**CETTE GARANTIE SERA NULLE ET SANS EFFET SI LE NUMÉRO DE SÉRIE DE CE PRODUIT A ÉTÉ ENLEVÉ OU EFFACÉ.**

**SI VOTRE PRODUIT PHOENIX GOLD REQUIERT UNE RÉPARATION :**

Phoenix Gold invite les propriétaires de ce produit à communiquer en premier avec leur revendeur Phoenix Gold original afin d'établir si le problème peut être résolu avant de le retourner à Phoenix Gold.

S'il est nécessaire de le retourner, le revendeur communiquera avec Phoenix Gold pour obtenir une autorisation. Toutes les marchandises retournées doivent avoir un numéro d'autorisation de Phoenix Gold avant d'être expédiées au centre de service de la compagnie. Le propriétaire d'un produit dans l'impossibilité de retourner celui-ci au revendeur original devra communiquer directement avec Phoenix Gold pour obtenir un numéro d'autorisation. Les articles retournés à Phoenix Gold sans un numéro d'autorisation risquent d'être refusés ou retardés.

Tous les retours sous garantie doivent être expédiés prépayés au centre de service de Phoenix Gold et ils doivent être accompagnés d'une preuve d'achat (un exemplaire du reçu de caisse original).

Les articles reçus et non défectueux seront retournés et le fret payable à destination. Les frais d'expédition et d'assurance sont à la charge du client lorsque le produit est expédié à Phoenix Gold. Les dommages causés au produit lors du transport ne sont pas couverts par cette garantie.

**POUR TOUTE INFORMATION SUR LES SERVICES AUX ÉTATS-UNIS, VEUILLEZ APPELER :**

Service à la clientèle Phoenix Gold : (503) 286-9300 ou (800) 950-1449 lors des heures normales de bureau (8 h 30 à 17 h - Heure normale du Pacifique)

**GARANTIES INTERNATIONALES**

Les produits achetés à l'extérieur des États-Unis d'Amérique sont uniquement couverts par le revendeur autorisé Phoenix Gold du pays et non pas par Phoenix Gold. Les clients qui requièrent des services de réparation ou de l'information sur la garantie de ces produits doivent communiquer avec le revendeur de leur pays.