

Titanium Elite 9m Midbass Driver

Thank you purchasing the Phoenix Gold Titanium 9m Midbass drivers. By doing so you have shown the desire to own the finest audio speakers available for your vehicle.

The Titanium 9m driver was specifically designed to reproduce frequencies in the midbass range. Its not a clumsy subwoofer with a heavy cone and oversized motor structure that is unable to reproduce the dynamic transients of midbass harmonics, nor is it a midrange that lacks the excursion and cone area to provide the authority of a kick drum. The Titanium 9m fills the common hole between subwoofer to a midrange drivers.

For best performance use an active crossover to filter the proper frequencies to the Titanium 9m. When used with the Titanium Elite 5 or 6 component system we recommend you use 24dB per octave slopes systemetrically crossed over between 150 to 200Hz. The example to the right illustrates how a Titanium 500.4 achieves this perfectly.

For most systems a bandpass filter from 40 to 150Hz with an 18dB or steeper slopes will yield best performance, but of course every system is different so please tune accordingly

A passive crossover is NOT recommended. A passive crossover limits the amount of power that reaches the driver. Power is critical for best performance because midbass drivers require additional power compared to a tweeter. Using separate amplifier channels also allows for individual level matching to properly balanced the maximum output of the drivers in the system.

The Titanium 9m can be mounted in a door or a sealed enclosure. A sealed enclosure from .1 to .4 cubic feet is recommend.

Phoenix Gold International, Inc. (or "Phoenix Gold") warrants its products against defects in materials and workmanship for a limited period of time. For a period of one (1) year from date of original purchase, we will repair or replace the product, at our option, without charge for parts and labor. Customer must pay all parts and labor charges after the limited warranty period expires. The limited warranty period for factory refurbished products expires after ninety (90) days from date of original purchase. This limited warranty applies only to purchases from authorized Phoenix Gold Electronics/Speaker retailers.

This limited warranty is extended only to the original purchaser and is valid only to consumers in the United States. Consumers are required to provide a copy of the original sales invoice from an authorized Phoenix Gold dealer when making a claim against this limited warranty. This limited warranty only covers failures due to defects in materials or workmanship that occur during normal use. It does not cover failures resulting from accident, misuse, abuse, neglect, mishandling, misapplication, alteration, faulty installation, modification, service by anyone other than Phoenix Gold, or damage that is attributable to Acts of God. It does not cover costs of transportation to Phoenix Gold or damage in transit.

Repair or replacement under the terms of this warranty does not extend the terms of this warranty. Should a product prove to be defective in workmanship or material, the consumer's sole remedies will be repair or replacement as provided under the terms of this warranty. Under no circumstances shall Phoenix Gold be liable for loss or damage, direct, consequential or incidental, arising out of the use of or inability to use the product. There are no express warranties other than described above.

PHOENIX GOLD

PHOENIX GOLD INTERNATIONAL

9300 North Decatur

Portland, OR 97203

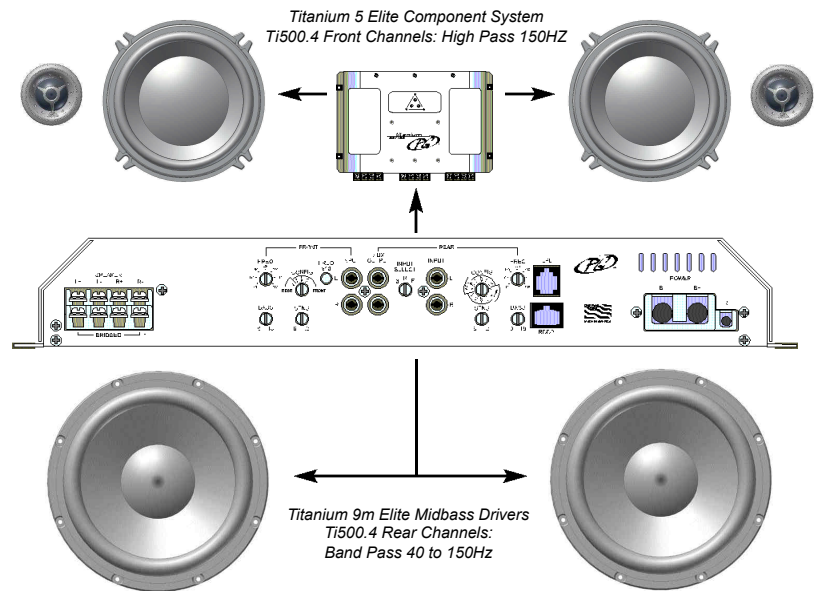
Tel: 503.286.9300

Fax: 503.978.3380

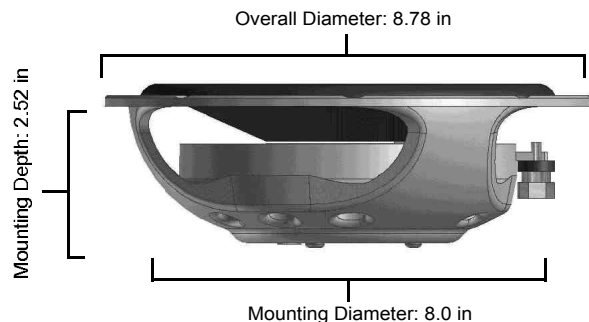
www.phoenixgold.com

The Complete Titanium Elite 3-way Speaker System

The example below illustrates how the Titanium 500.4 and Titanium Speaker system are specifically designed to work together to achieve maximum speaker performance. Titanium Elite 5 Component system is powered by the front channels of the Titanium 500.4, set high pass at 150Hz. The rear channels power the Titanium 9m set bandpass from 40Hz to 150Hz.



Mounting Dimensions



Specifications

Titanium Elite 9m Specifications

Mounting Depth	2.52 in
Mounting Diameter	.8 in
Overall Diameter	.878 in
Optimal Sealed Enclosure Size	.01 - 0.4 cu ft

T/S Parameters:

Fs	.4625 Hz
Re	.320 Ohms
Qms	.251
Qes	.053
Qts	.044
Vas	.34.10 liters
Mms	.27.26 grams
Cms	.434 uM/Newton
Vas	.6.94 Tesla-M
SPL	.87.9dB
Sd	.236.42 sq cm

Frequency Response	±1dB, 40Hz to 15kHz
Nominal Impedance	.4 Ohms
Recommended low pass Crossover Frequency	.150- 200Hz
Active Crossover Slopes	.24dB per Octave
Titanium Elite 9M Power Handling	.350 Watts RMS