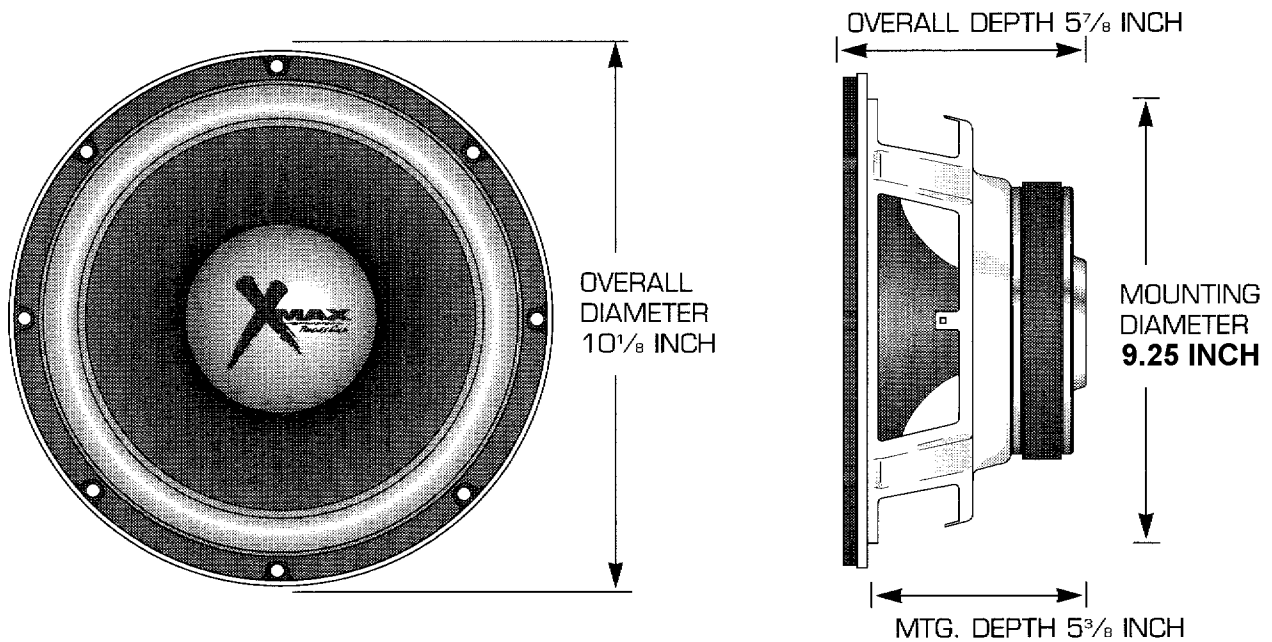


XMAX10 SPECIFICATIONS

MEASUREMENTS:



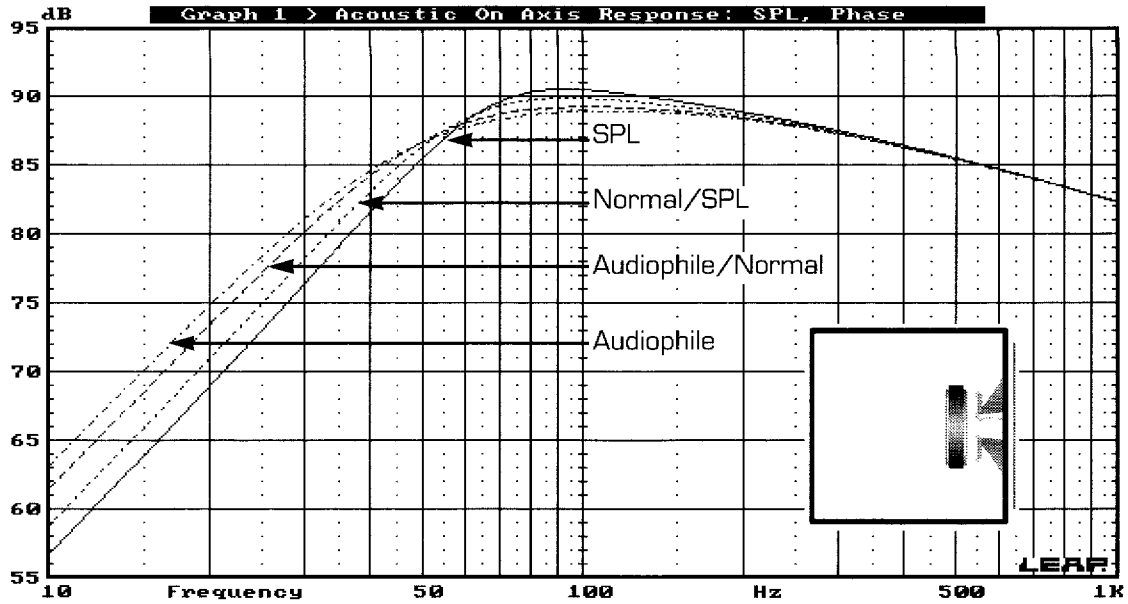
Thiele/Small Parameters	
Model	XMAX 10
Description	High Power/Excursion Woofer
Nominal Impedance	4 Ohm
Re (DC VC Resistance)	3.4 Ohm
Levc/Kxm (Inductance @ 1KHz.)	1.22 mH.
Fo (Res Freq)	26.64 Hz.
Sd (Piston Area)	.0346 sqM
Bl (Flux x Length)	11.5 TM
Vas (Acous Vol)	54.5702 Liters (1.926 cuft)
Cms (Compliance)	321.0 uM/N
Mms (Total Mass)	111.19 gms.
Qms (Mech Q)	7.640
Qes (Elec Q)	.478
Qts (Total Q)	.450
SPLi (SPL @ 2.83v/1m)	89 dB
Pmx (Thermal power)	300
Xmax (Linear Excursion)	13.0 mm
Vc (Voice Coil Diameter)	2.0 in.
Magnet Weight	90 ounces
Vdd (Driver Displacement)	177.98 cu.ins.
Mounting Diameter	9 1/4"
Mounting Depth	5 3/8"

Magnet diameter: 6"



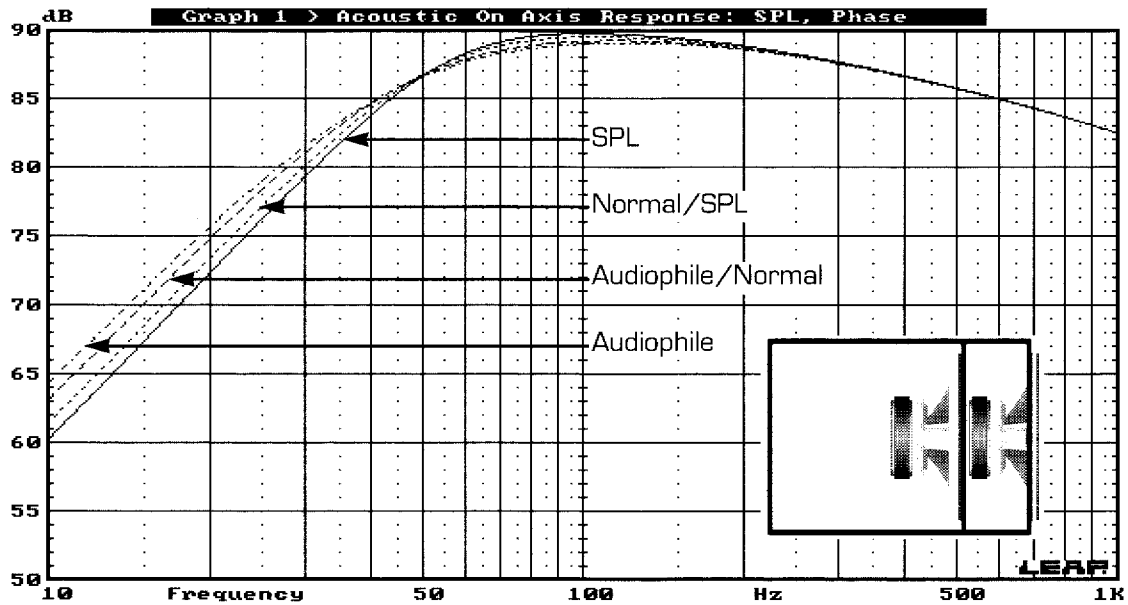
XMAX10 ENCLOSURE DATA

SEALED



Classification	Volume * (ft ³)
SPL	0.4
Normal/SPL	0.5
Audiophile/Normal	0.7
Audiophile	0.9

COMPOUND SEALED



Classification	Volume * (ft ³)
SPL	0.35
Normal/SPL	0.4
Audiophile/Normal	0.5
Audiophile	0.6

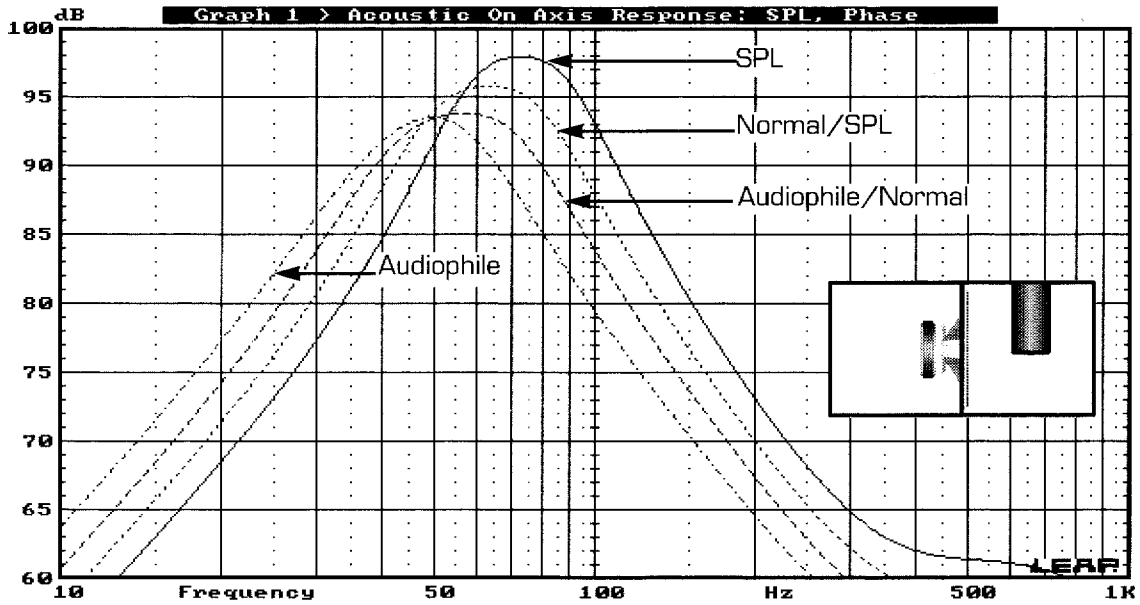
* All enclosure volumes take into account speaker and vent displacement



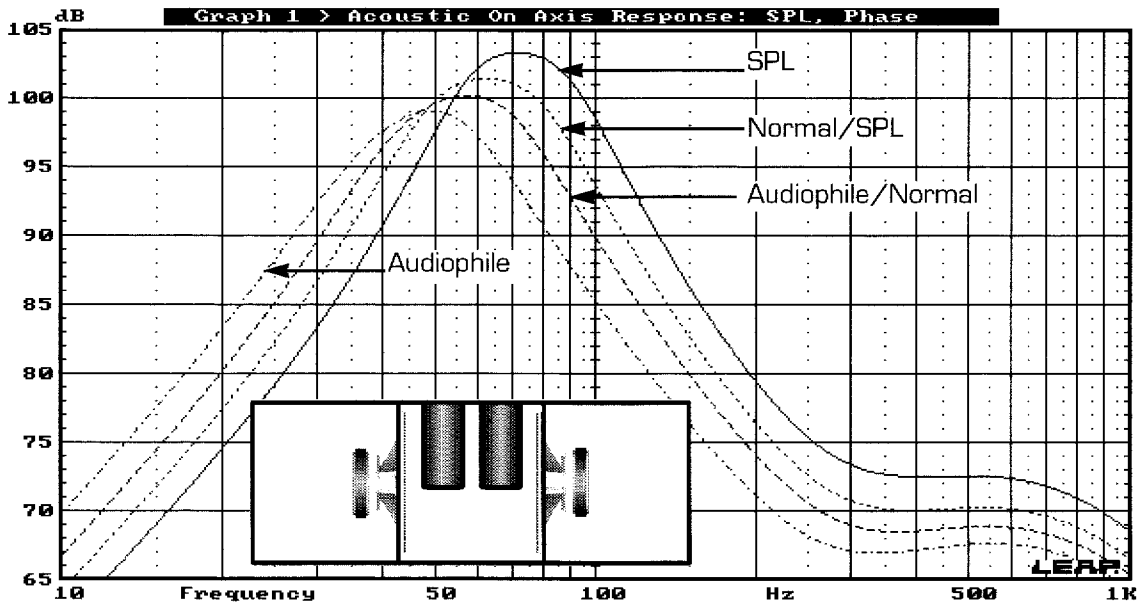
XMAX10 ENCLOSURE DATA

BAND-PASS

TRI-CHAMBER BAND-PASS



Classification	Vbr (sealed)	Vbf (vented)	Vd (vent diam.)	VI (vent length)	Fb (vent freq.)
SPL	0.35	0.73	2x3"	7"	71Hz
Normal/SPL	0.45	0.75	2x3"	10"	62Hz
Audiophile/Normal	0.60	0.76	2x3"	13½"	55Hz
Audiophile	0.90	0.97	2x3"	14"	47Hz



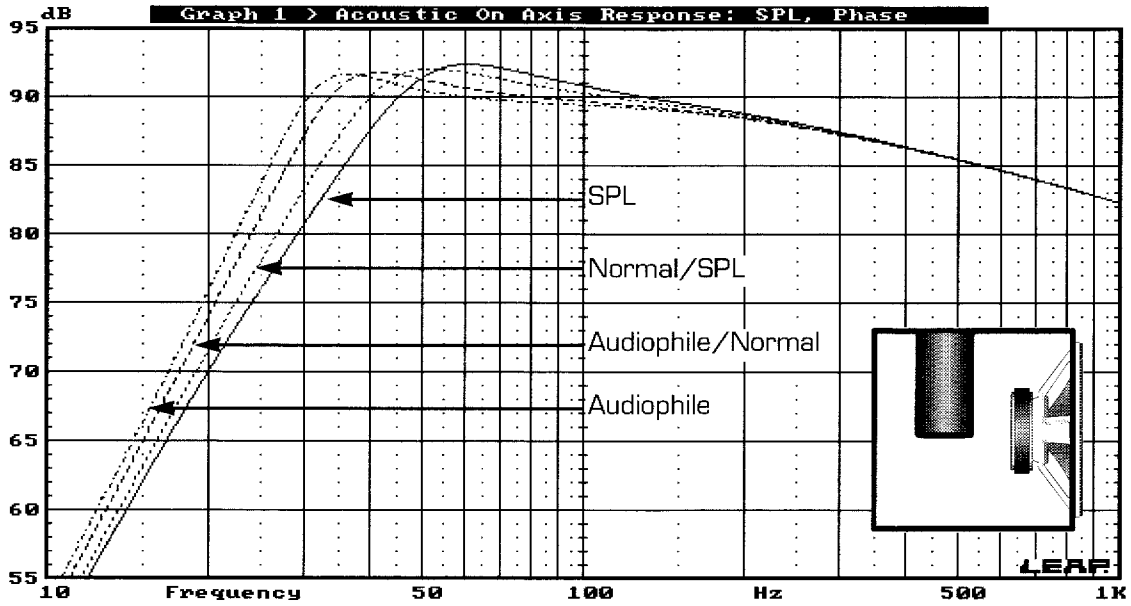
Classification	Vbr1 (sealed)	Vbr2 (sealed)	Vbf (vented)	Vd (vent diam.)	VI (vent length)	Fb (vent freq.)
SPL	0.35	0.35	1.65	3x4"	9¼"	71Hz
Normal/SPL	0.45	0.45	1.76	3x4"	13¼"	62Hz
Audiophile/Normal	0.60	0.60	1.68	2x4"	9⅞"	55Hz
Audiophile	0.90	0.90	2.00	2x4"	11⅝"	47Hz

* All enclosure volumes take into account speaker and vent displacement



XMAX10 ENCLOSURE DATA

VENTED



Classification	Volume* (ft ³)	Vd (vent diam.)	Vl (vent length)	Fb (tuning freq.)
SPL	0.8	3"	18 ¹ / ₄ "	37Hz
Normal/SPL	1.0	3"	14 ³ / ₄ "	35Hz
Audiophile/Normal	1.35	3"	11 ¹ / ₄ "	32Hz
Audiophile	1.65	3"	10 ¹ / ₄ "	30Hz

Note: we do not recommend use of Compound Vented enclosures with the XMAX10 due to excessive port lengths.
Call Phoenix Gold technical support for details.

COMPOUND VENTED

* All enclosure volumes take into account speaker and vent displacement

