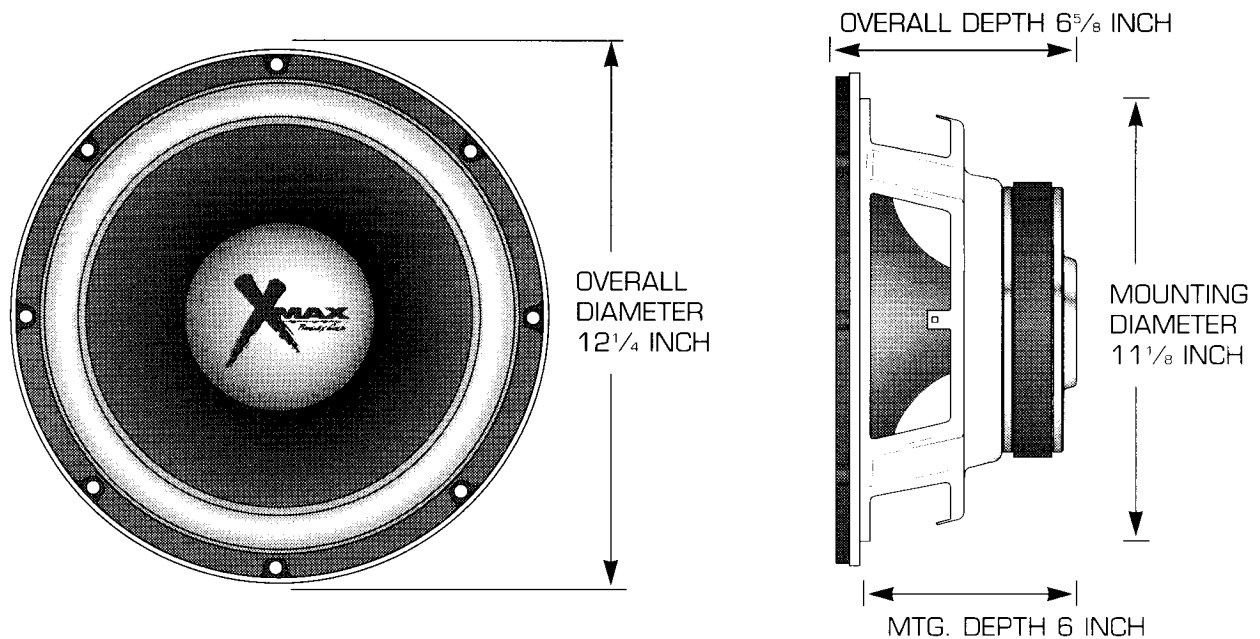


XMAX12 SPECIFICATIONS

MEASUREMENTS:



SPECIFICATIONS:

R_{vc} (DC VC Res)3.89Ω
 L_{vc} (Inductance @ 1KHz)3.22mH
 F_o (Res Freq) 16.4Hz
 S_d (Piston Area).....0.053m²
 BL (Flux* Length).....11.56 TM
 SPL_o (SPL at 1w)86dB
 Q_{ms} (Mech Q)5.81
 Q_{es} (Elec Q)0.441
 Q_{ts} (Total Q).....0.410
 V_{as} (Acous Vol) 256.25 liter(8.94ft³)
 C_{ms} (Compliance).....640 μM/N

M_{ms} (Total Mass).....147.15g
 M_{md} (Diaphragm Mass).....140.11g
 *P_e (Thermal Power Handling).....600w
 X_{max} (Linear Excursion) 13mm
 V_c (Voice Coil Diameter).....4in
 Magnet Weight.....112oz
 V_{dd} (Driver Displacement)......241 in³
 Mounting Diameter 1 1/8 in
 Mounting Depth..... 6 in

NOTE: Due to ongoing research and development, all features and specifications, effective 3/97, are subject to change without notice.

