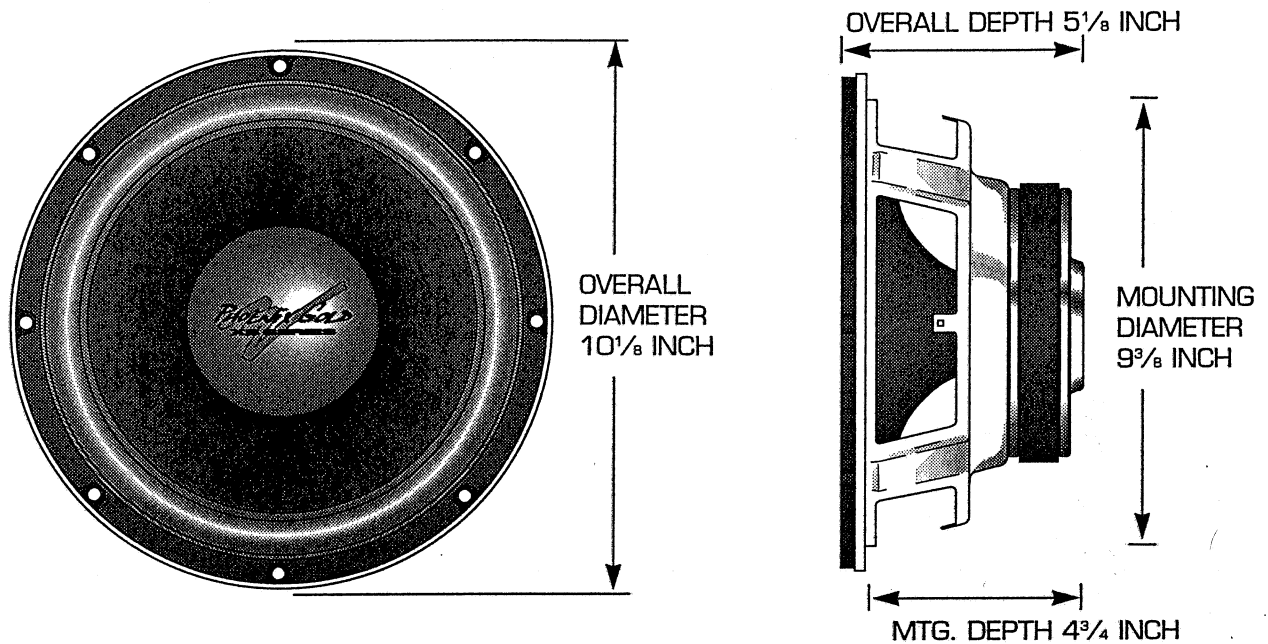


XS104dvc SPECIFICATIONS

MEASUREMENTS:



SPECIFICATIONS:

R_{vc} (DC VC Res both coils in parallel).....1.90Ω
 L_{vc} (Inductance @ 1KHz)0.94mH
 F_o (Res Freq)28.8Hz
 S_d (Piston Area).....0.035m²
 BL (Flux* Length).....7.06 TM
 SPL_o (SPL at 1w)87dB
 Q_{ms} (Mech Q)4.31
 Q_{es} (Elec Q)0.52
 Q_{ts} (Total Q).....0.46
 V_{as} (Acous Vol)71.15 liter (2.51 ft³)
 C_{ms} (Compliance).....409 μM/N

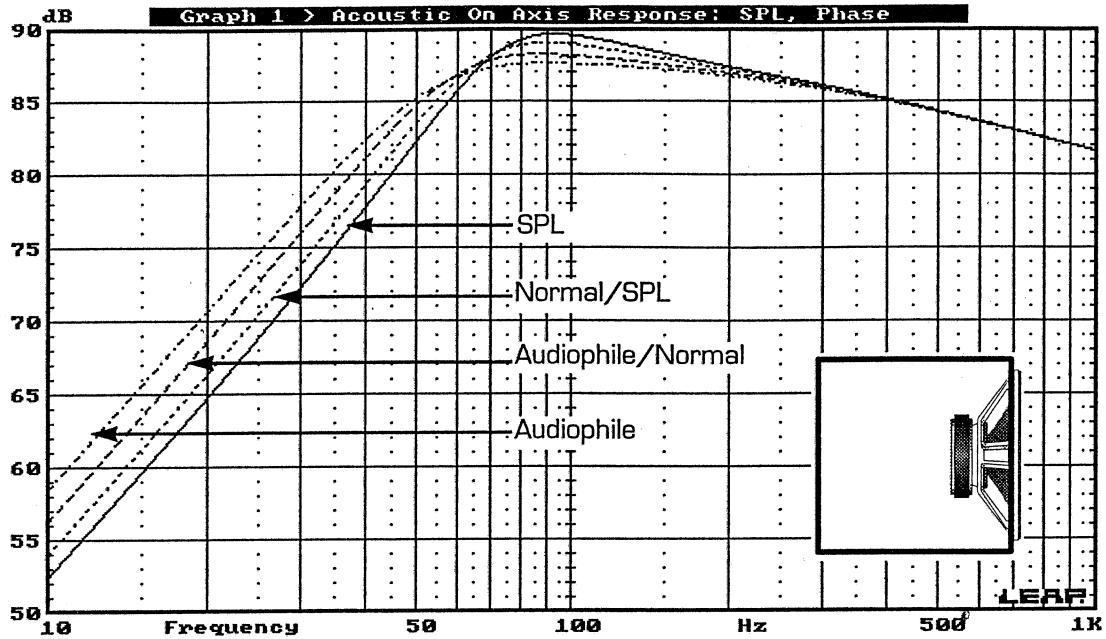
M_{ms} (Total Mass).....74.46g
 M_{md} (Diaphragm Mass)70.70g
 P_e (Thermal Power Handling)200w
 X_{max} (Linear Excursion)9mm
 V_c (Voice Coil Diameter).....2.0in
 Magnet Weight.....36oz
 V_{dd} (Driver Displacement).....138 in³
 Mounting Diameter9 3/8in
 Mounting Depth.....4 3/4in

NOTE: Due to ongoing research and development, all features and specifications, effective 12/98, are subject to change without notice.

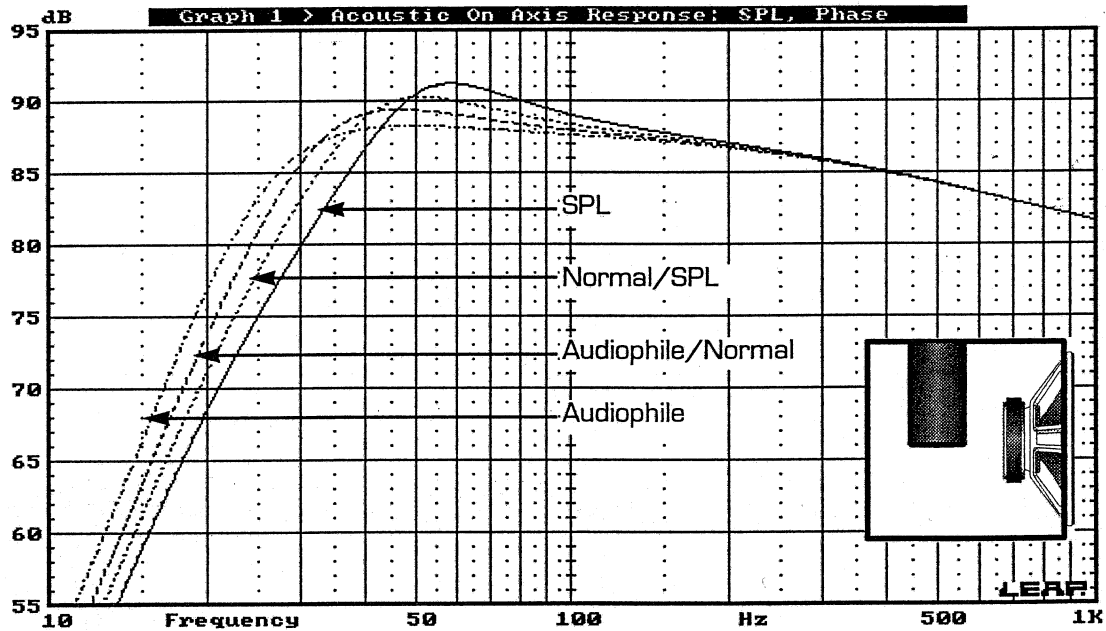
XS
SUBWOOFERS

XS 104dvc ENCLOSURE DATA

SEALED



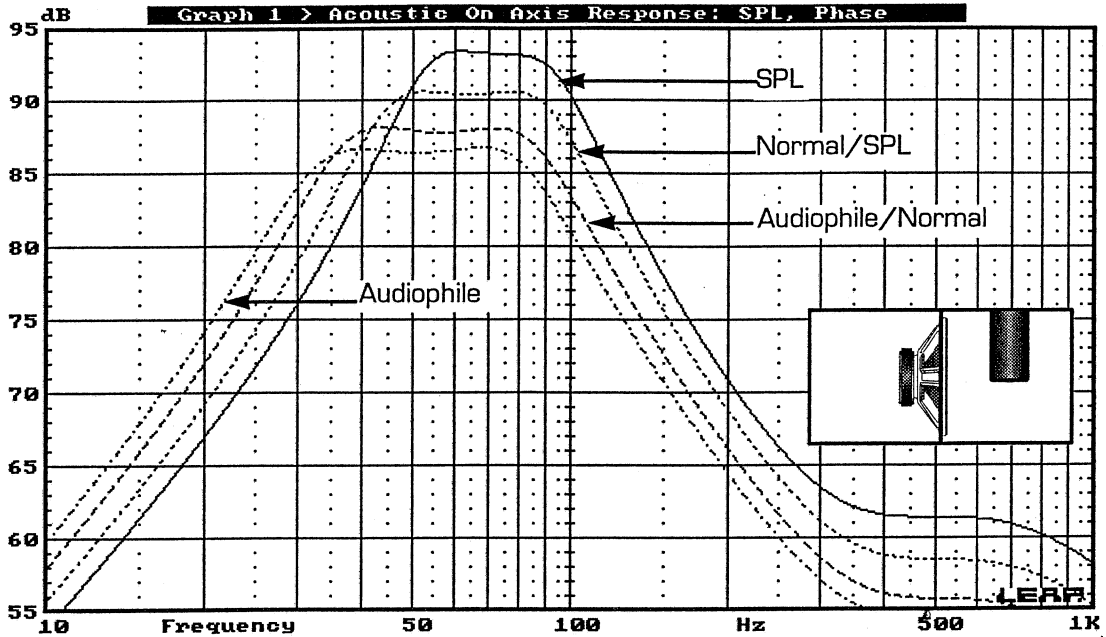
VENTED



XS
SUBWOOFERS

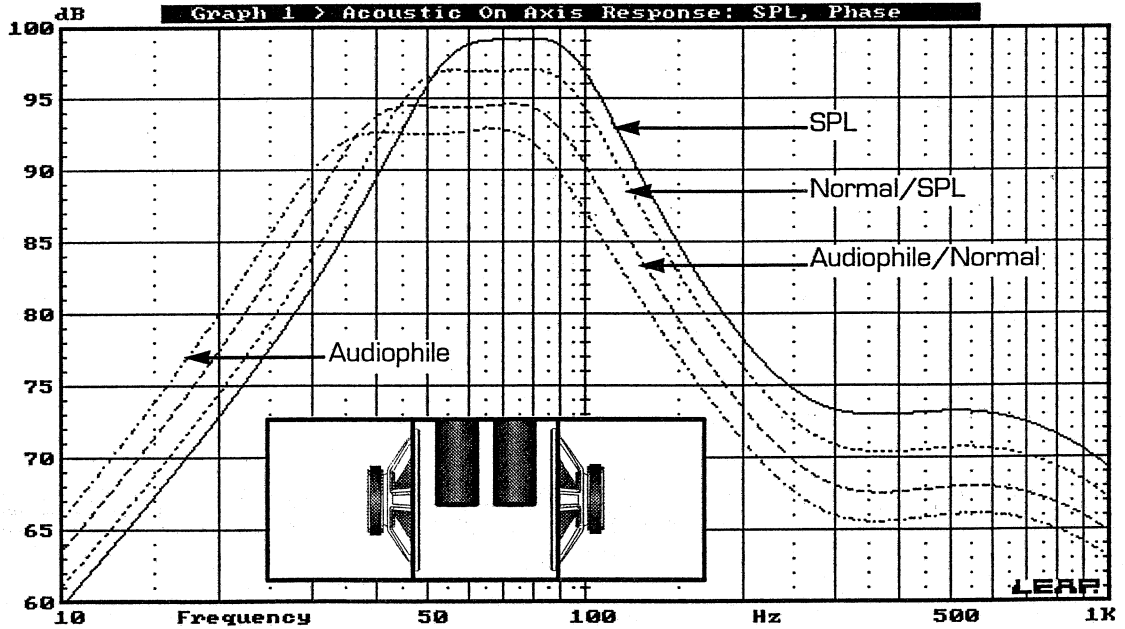
XS 104dvc ENCLOSURE DATA

BAND-PASS



Classification	Vbr (sealed)	Vbf (vented)	Vd (vent no./diam.)	VI (vent length)	Fb (vent freq.)
SPL	0.50	1.00	2/4"	10 3/4"	69Hz
Normal/SPL	0.65	0.85	4"	7"	62Hz
Audiophile/Normal	0.90	0.80	4"	10 5/8"	55Hz
Audiophile	1.20	0.80	4"	13"	51Hz

TRI-CHAMBER BAND-PASS



Classification	Vbr1 (sealed)	Vbr2 (sealed)	Vbf (vented)	Vd (Area)	VI (vent length)	Fb (vent freq.)
SPL	0.50	0.50	2.00	40"	5"	70Hz
Normal/SPL	0.60	0.60	1.70	40"	9"	65Hz
Audiophile/Normal	0.90	0.90	1.60	40"	14 1/2"	57Hz
Audiophile	1.20	1.20	1.60	30"	14"	51Hz

XS
SUBWOOFERS