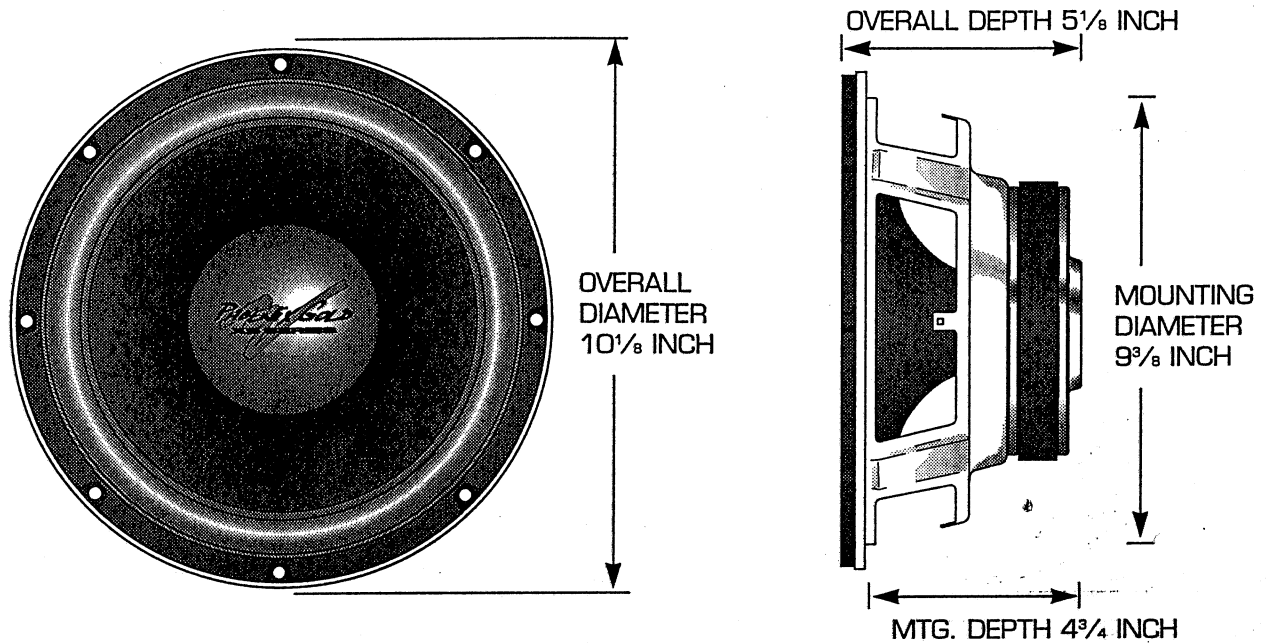


XS104 SPECIFICATIONS

MEASUREMENTS:



SPECIFICATIONS:

Revc (DC VC Resl).....3.65Ω
Levc (Inductance @ 1KHz).....2.30mH
Fo (Res Freq).....26.3Hz
Sd (Piston Area).....0.035m²
BL (Flux* Length).....10.97 TM
SPLo (SPL at 1w).....87dB
Qms (Mech Q).....4.561
Qes (Elec Q).....0.42
Qts (Total Q).....0.38
Vas (Acous Vol).....77.06 liter (2.72 ft³)
Cms (Compliance).....443.0 μM/N

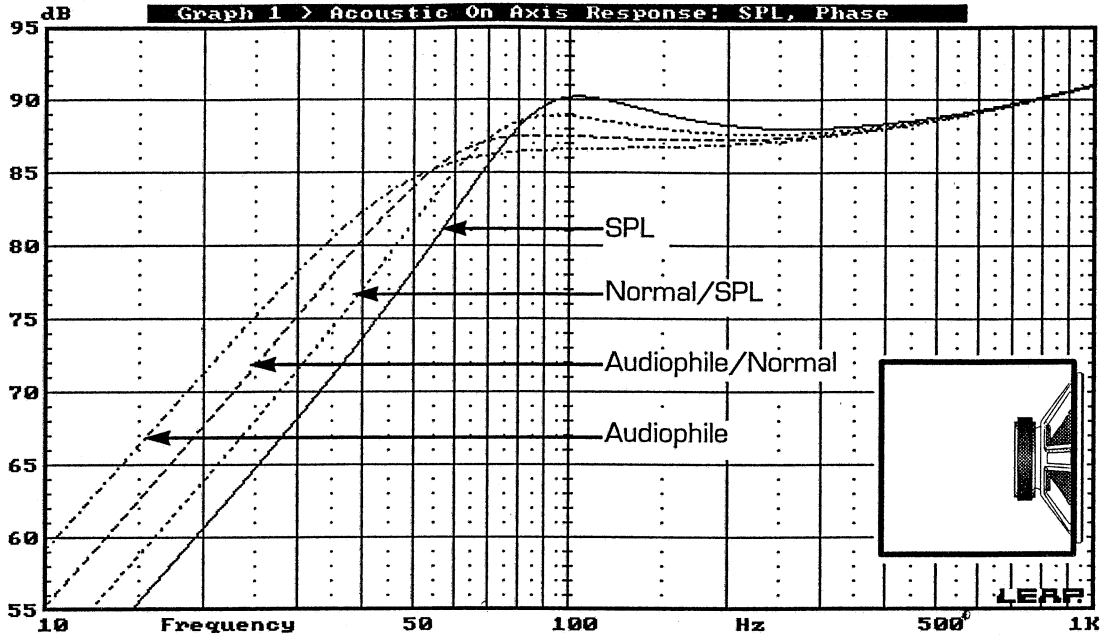
Mms (Total Mass).....82.85g
Mmd (Diaphragm Mass).....79.09g
Pe (Thermal Power Handling).....2200w
Xmax (Linear Excursion).....0.09mm
Vc (Voice Coil Diameter).....10.92.0in
Magnet Weight.....36oz
Vdd (Driver Displacement).....138 in³
Mounting Diameter.....9 3/8in
Mounting Depth.....4 3/4in

NOTE: Due to ongoing research and development, all features and specifications, effective 12/98, are subject to change without notice.

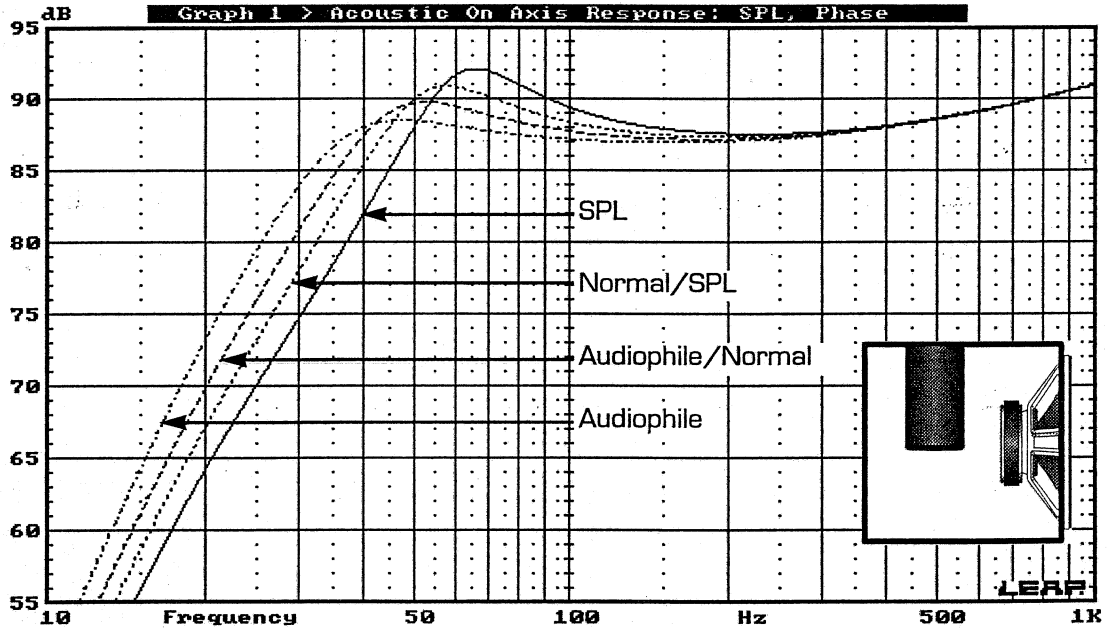
XS
SUBWOOFERS

XS104 ENCLOSURE DATA

SEALED



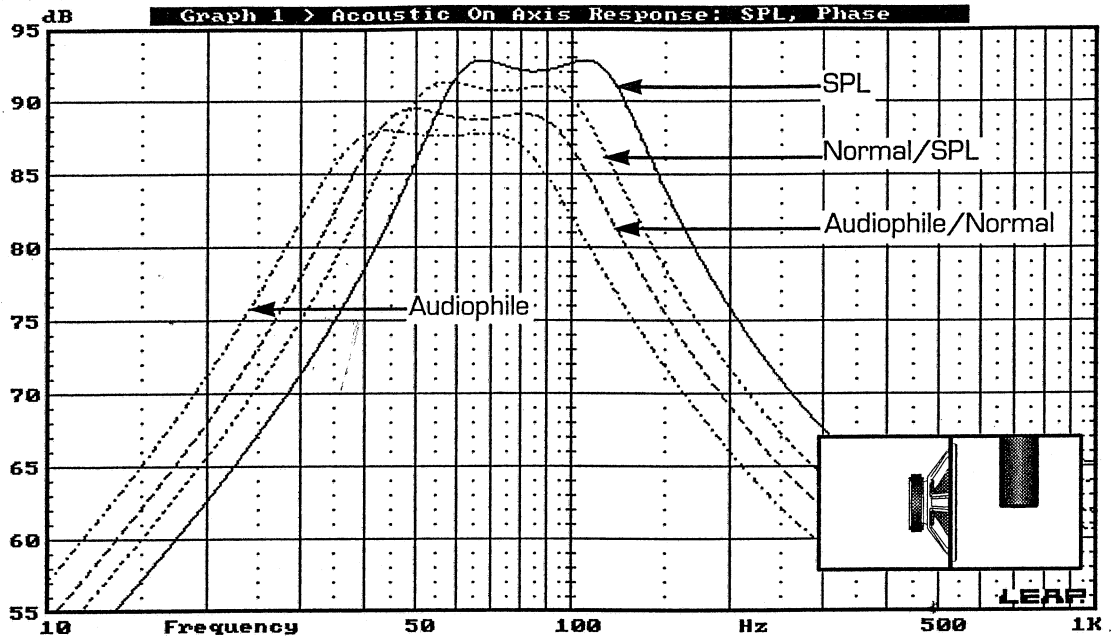
VENTED



XS
SUBWOOFERS

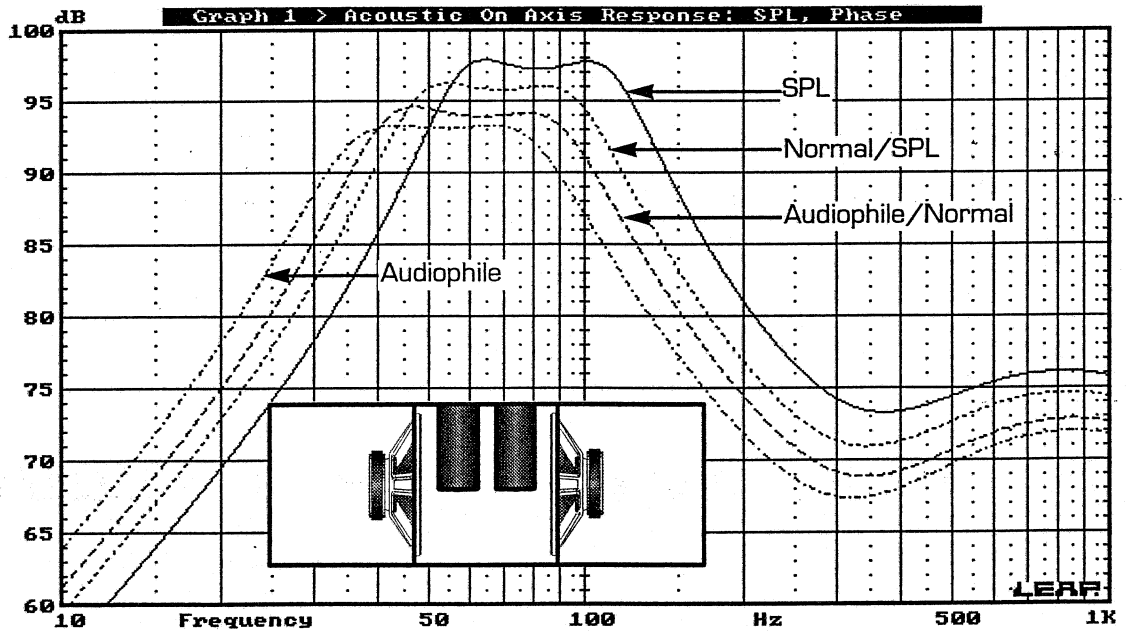
XS 104 ENCLOSURE DATA

BAND-PASS



Classification	Vbr (sealed)	Vbf (vented)	Vd (vent diam.)	VI (vent length)	Fb (vent freq.)
SPL	0.25	0.50	4"	6 1/2"	83Hz
Normal/SPL	0.35	0.60	4"	9"	67Hz
Audiophile/Normal	0.45	0.60	4"	11"	63Hz
Audiophile	0.65	0.70	4"	13"	54Hz

TRI-CHAMBER BAND-PASS



Classification	Vbr1 (sealed)	Vbr2 (sealed)	Vbf (vented)	Vd (vent no./diam.)	VI (vent length)	Fb (vent freq.)
SPL	0.28	0.28	1.00	2/4"	7"	80Hz
Normal/SPL	0.40	0.40	1.20	2/4"	9"	67Hz
Audiophile/Normal	0.50	0.50	1.20	2/4"	12 3/16"	60Hz
Audiophile	0.73	0.73	1.40	2/4"	13 3/4"	53Hz

XS
SUBWOOFERS