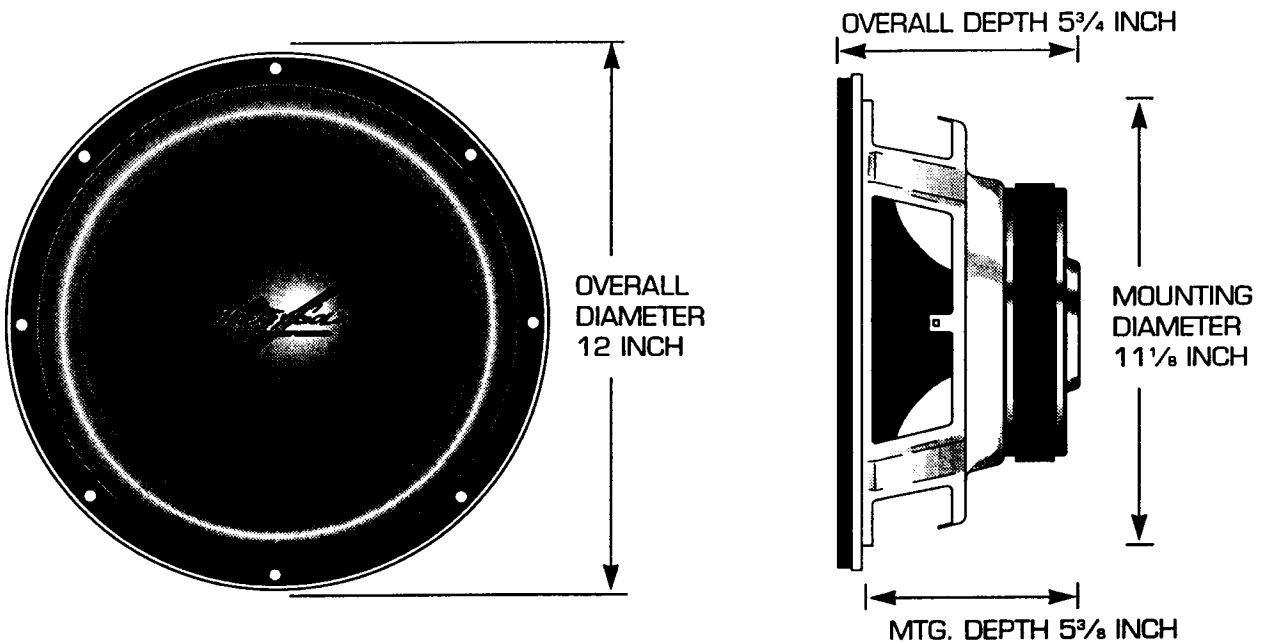


# XS124dvc SPECIFICATIONS

## MEASUREMENTS:



## SPECIFICATIONS:

R<sub>vc</sub> (DC VC Res both coils in parallel).....1.9Ω  
 L<sub>vc</sub> (Inductance @ 1KHz) .....1.84mH  
 F<sub>o</sub> (Res Freq) .....26.40Hz  
 S<sub>d</sub> (Piston Area).....0.051m<sup>2</sup>  
 BL (Flux\* Length).....6.62 TM  
 SPL<sub>o</sub> (SPL at 1w) .....88dB  
 Q<sub>ms</sub> (Mech Q) .....5.50  
 Q<sub>es</sub> (Elec Q) .....0.64  
 Q<sub>ts</sub> (Total Q).....0.57  
 V<sub>as</sub> (Acous Vol) .....147.04 liter (5.19 ft<sup>3</sup>)  
 C<sub>ms</sub> (Compliance).....398 μM/N

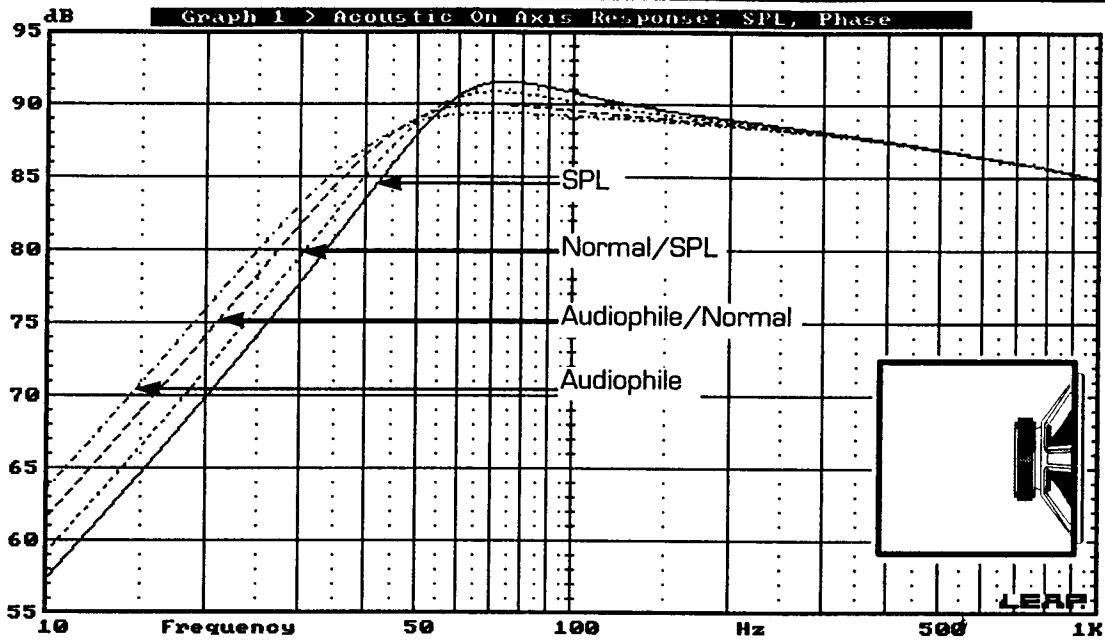
M<sub>ms</sub> (Total Mass).....91.29g  
 M<sub>md</sub> (Diaphragm Mass) .....84.67g  
 P<sub>e</sub> (Thermal Power Handling) .....250w  
 X<sub>max</sub> (Linear Excursion) .....9mm  
 V<sub>c</sub> (Voice Coil Diameter).....2.0in  
 Magnet Weight.....36oz  
 V<sub>dd</sub> (Driver Displacement).....224in<sup>3</sup>  
 Mounting Diameter .....11 1/8in  
 Mounting Depth.....5 3/8in

NOTE: Due to ongoing research and development, all features and specifications, effective 12/98, are subject to change without notice.

**XS**  
SUBWOOFERS

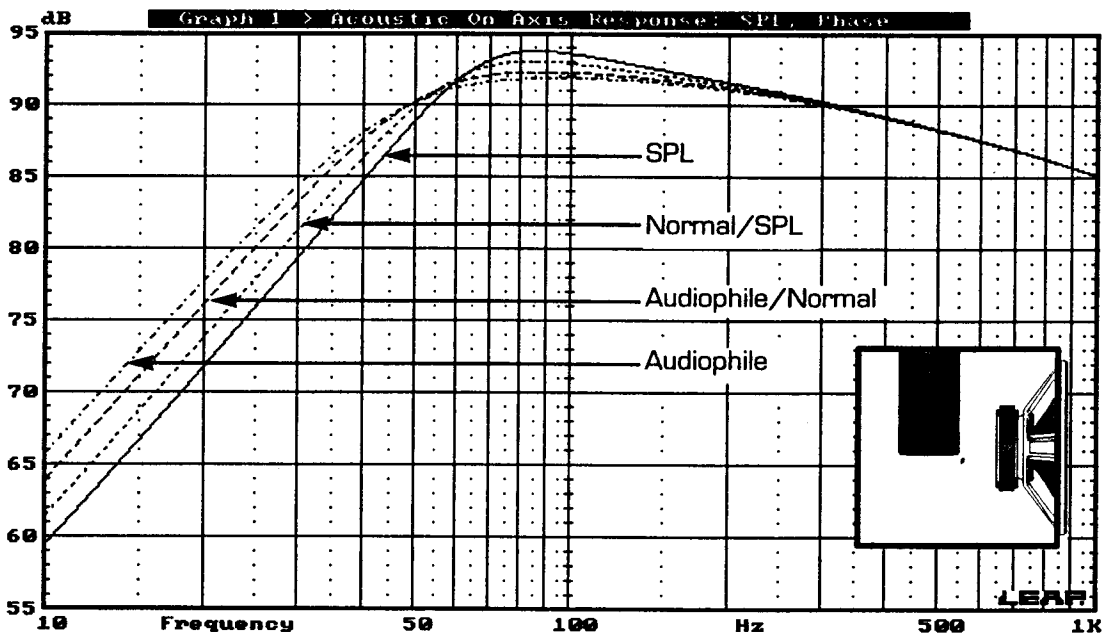
# XS 124dvc ENCLOSURE DATA

SEALED



Classification	Volume* (ft <sup>3</sup> )
SPL	1.00
Normal/SPL	1.30
Audiophile/Normal	1.90
Audiophile	2.70

VENTED

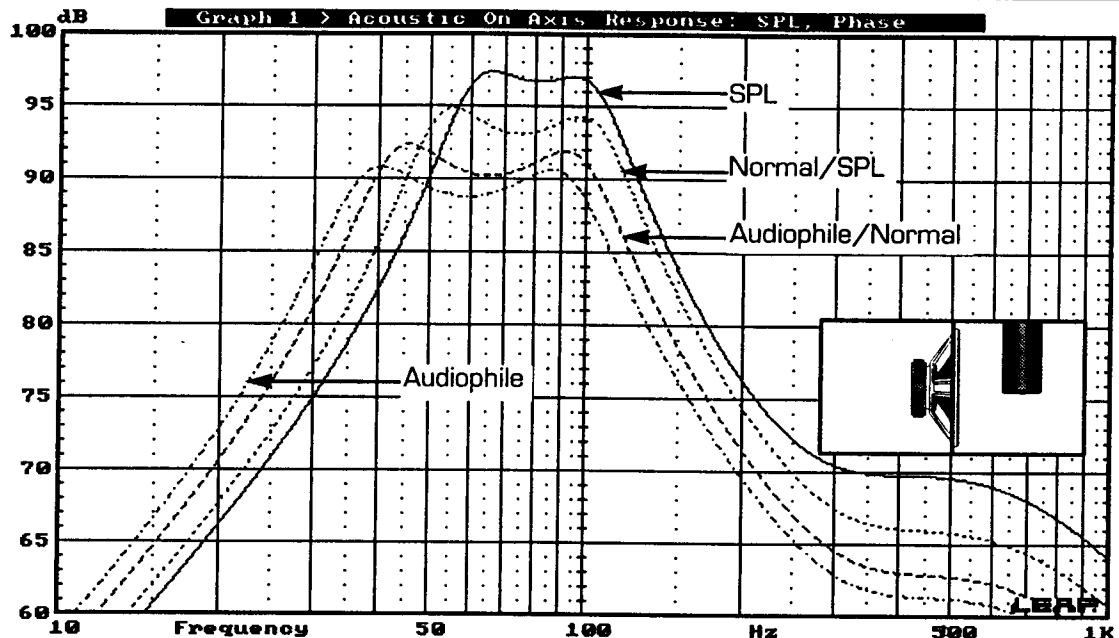


Classification	Volume* (ft <sup>3</sup> )	Vd (vent diam.)	Vl (vent length)	Fb (tuning freq.)
SPL	2.60	4"	7"	33Hz
Normal/SPL	3.00	4"	7 <sup>3</sup> / <sub>4</sub> "	30Hz
Audiophile/Normal	3.50	4"	9"	26Hz
Audiophile	4.20	4"	10"	23Hz

**XS**  
SUBWOOFERS

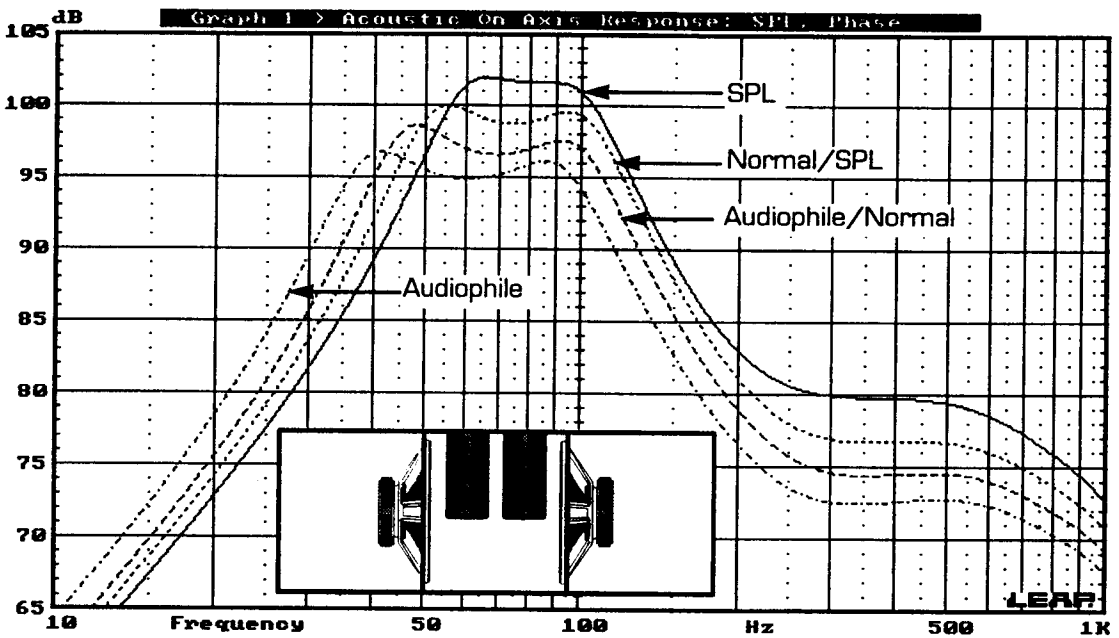
# XS 124dvc ENCLOSURE DATA

BAND-PASS



Classification	Vbr	Vbf	Vd	VI	Fb
	(sealed)	(vented)	(vent area)	(vent length)	(vent freq.)
SPL	0.60	1.70	50"	6 9/16"	77Hz
Normal/SPL	0.70	1.20	40"	11 1/4"	72Hz
Audiophile/Normal	0.95	1.10	25"	10 5/8"	63Hz
Audiophile	1.20	1.10	25"	13 7/16"	58Hz

TRI-CHAMBER BAND-PASS



Classification	Vbr <sup>1</sup>	Vbr <sup>2</sup>	Vbf	Vd	VI	Fb
	(sealed)	(sealed)	(vented)	(vent area)	(vent length)	(vent freq.)
SPL	0.65	0.65	3.40	120"	6"	76Hz
Normal/SPL	0.75	0.75	2.40	100"	12"	72Hz
Audiophile/Normal	0.85	0.85	2.20	70"	12 1/4"	65Hz
Audiophile	1.15	1.15	2.20	50"	11 5/16"	58Hz

