



TECHNICAL DATA

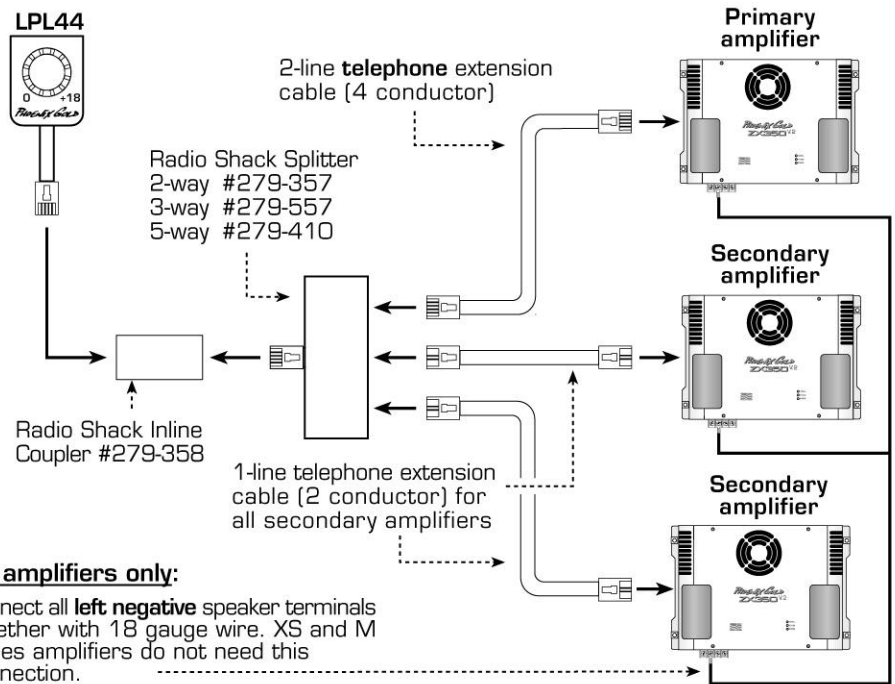
amplifiers

Who:

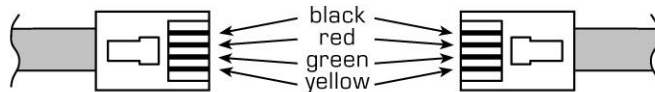
phoenix gold
tech department

What:

how to control
multiple
amplifiers with
one LPL44.



Top view of primary cable connectors when facing each other



The primary amplifier uses a 4 conductor **telephone** extension cable. Telephone extension cable has a mirror image wire arrangement when the ends are facing each other.

All secondary amplifiers use a 2 conductor telephone cable. The two conductor cable uses the **two center pins only** with the outer pins empty.