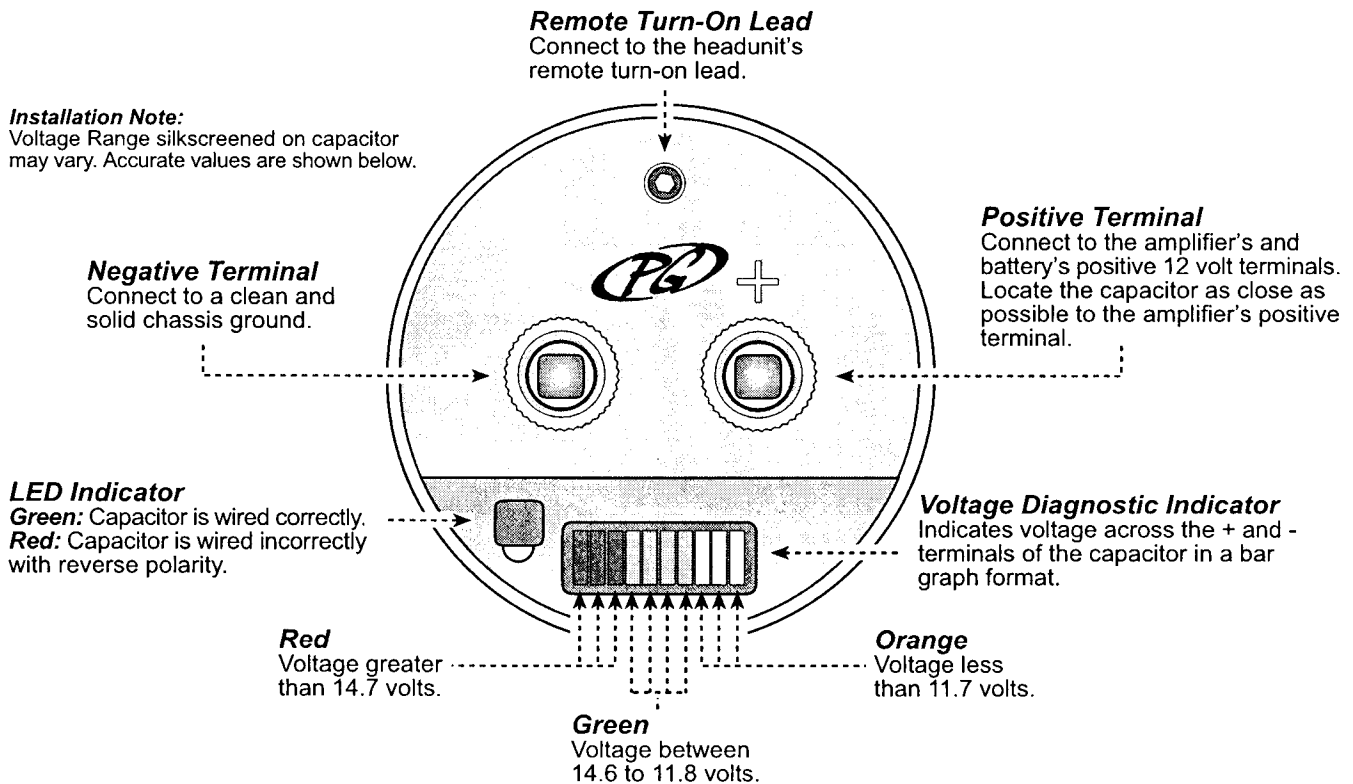


## QMX10 Operational Details

**Installation Note:**  
Voltage Range silkscreened on capacitor may vary. Accurate values are shown below.



### Charging The Capacitor

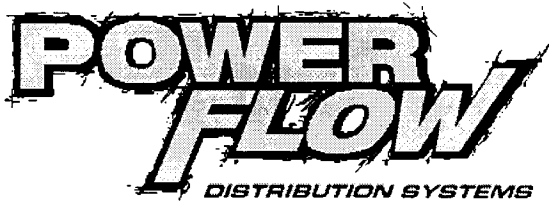
1. Connect the capacitor's negative terminal to chassis ground.
2. Connect the supplied current-limiting 50 ohm, 1/2 watt resistor to the capacitor's positive terminal.
3. Hold the current limiting resistor between your thumb and forefinger while touching the battery's power cable to the resistor's free end. You will feel the resistor get warm as current rushes into the capacitor. Stop if it gets too warm to hold. It will take about a minute for the capacitor to reach the same voltage level as the car's battery. You can use a voltmeter to monitor the charging process.
4. Remove the resistor and keep it for future use.
5. Permanently attach the battery lead and amplifier's power lead to the capacitor's positive terminal.

### Discharging The Capacitor

1. If you need to ship the unit. Simply disconnect all wires from the positive and negative terminals and short the terminals together with the resistor.
2. It will take about a minute to bring the voltage down to zero due to the current limiting effect of the resistor. You can use a voltmeter to monitor the discharging progress.

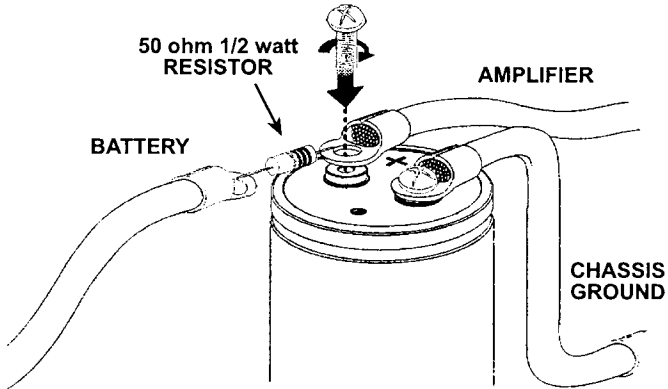
**PHOENIX GOLD**

PHOENIX GOLD INTERNATIONAL, INC.  
9300 NORTH DECATUR PORTLAND, OR 97203  
TEL: 503.286.9300 FAX: 503.978.3380  
WWW.PHOENIXGOLD.COM

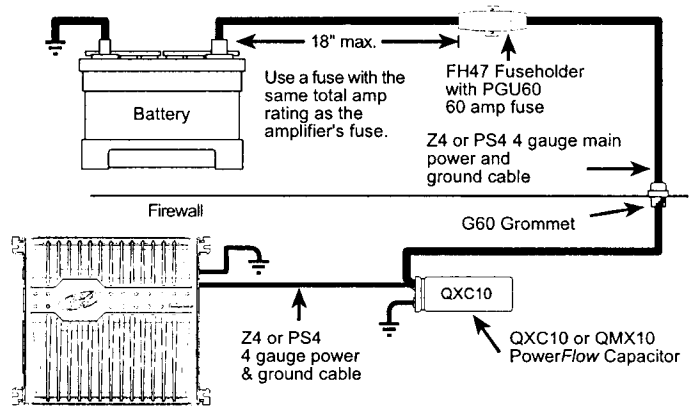


**QXC10**      1,000,000  $\mu$ F      20-25VDC CAPACITOR  
**QMX10\***    1,000,000  $\mu$ F      20-25VDC CAPACITOR  
 \*Includes Voltage Diagnostics

**POWERFLOW™ CAPACITOR CHARGING**



**POWERFLOW™ CAPACITOR CONNECTION**



Thank you for purchasing this Phoenix Gold product. By doing so, you have demonstrated a desire to own the finest audio components available for the car and home. At Phoenix Gold we use state-of-the-art design, engineering and production methods to continually improve the quality, reliability and performance of our products. Properly installed, the PowerFlow™ capacitor will provide years of high quality performance. Before installing the capacitor in your vehicle, please read the instructions carefully. It is required reading if you want to get maximum performance out of your car audio system.

**Words of Caution**

Please use great care in handling your PowerFlow™ capacitor. Large electrolytic capacitors do not like heat, oil, grease, water or mistreatment. If the capacitor housing is deformed during installation or careless handling, then the many layers of plate material will be damaged and the capacitor should not be installed.

**How Many Caps Do You Need?**

We recommend a minimum of 1 farad (1,000,000 $\mu$ F) of capacitance for every 1,000 watts of amplification. If your system requires more capacitance than a single capacitor, you can connect several large capacitors together in a single high-capacity bank. Capacitors wired in a parallel configuration (all positive terminals connected together and all negative terminals connected together) add their individual values. For example, one QXC10 paralleled with a second QXC10 provides 2 farads of capacitance. You could also use a single capacitor for each amplifier.

**Connecting The Cap To Your Audio System**

Capacitors are shipped with no electrical charge and must be charged before use. Remember that the purpose of the capacitor is to supply quick energy for the DC-to-DC converters inside your power amplifier. Therefore, locate the capacitor as close to the amplifier as possible with a minimum number of connections between it and the amplifier. Do not install a fuse between the capacitor and the amplifier. Make sure you observe proper polarity when making connections. The capacitor's positive (+) terminal must be connected to positive voltage, and the negative (-) terminal must be connected to chassis ground.

