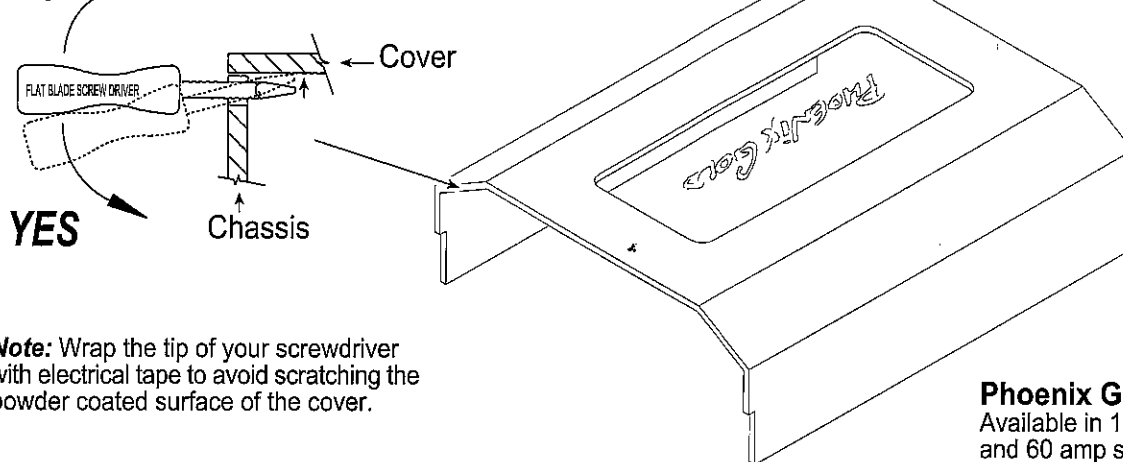


## Installation Instructions

**NO!** To avoid damage, DO NOT pull up on the screwdriver.



**Note:** Wrap the tip of your screwdriver with electrical tape to avoid scratching the powder coated surface of the cover.

### Phoenix Gold KF Fuses (not shown)

Available in 30,40,50,60,80,100,125, and 150 amp sizes.

**Note:** For models using dual fuses for a single output, use equal amperage fuses.

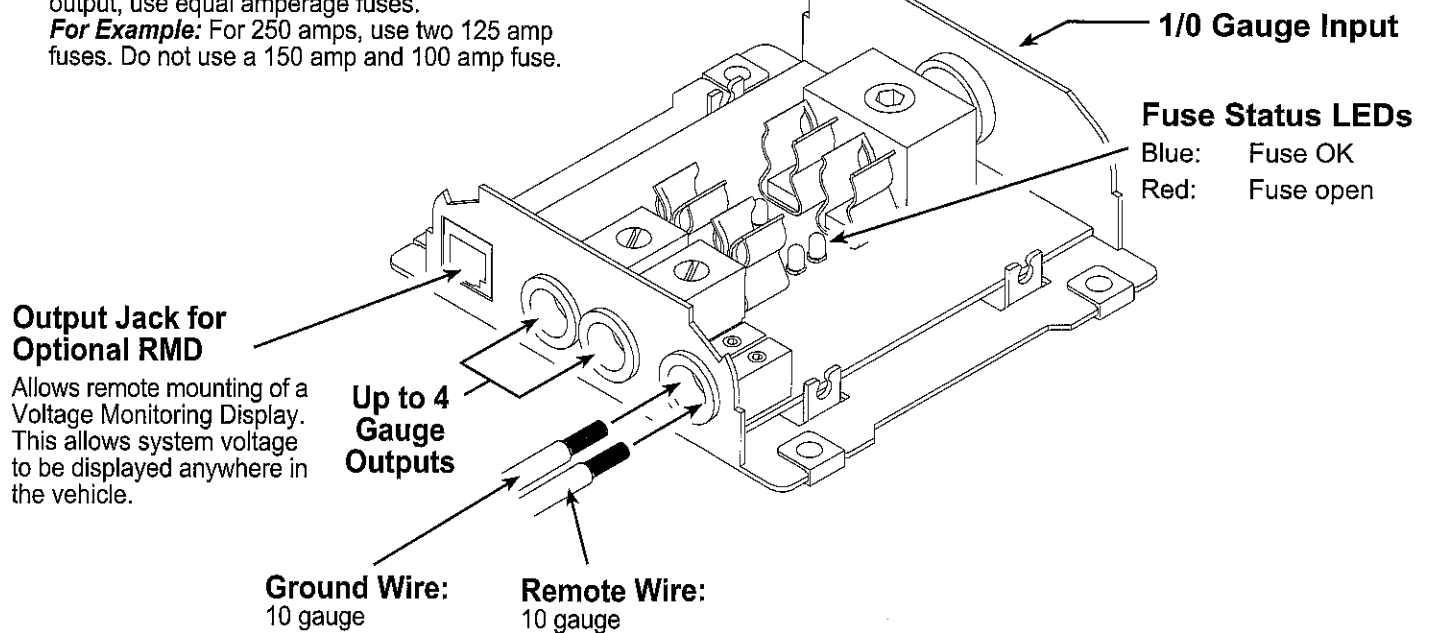
**For Example:** For 250 amps, use two 125 amp fuses. Do not use a 150 amp and 100 amp fuse.

### Phoenix Gold PGU Fuses

Available in 1, 3, 5, 8, 10, 20, 30, 40, 50 and 60 amp sizes.

**Note:** For models using dual fuses for a single output, use equal amperage fuses.

**For Example:** For 100 amps, use two 50 amp fuses. Do not use a 60 amp and 40 amp fuse.

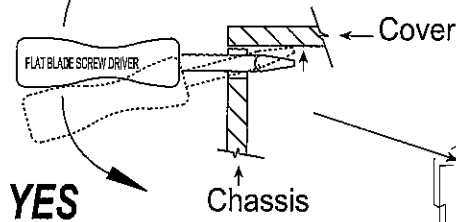


Phoenix Gold International, Inc.

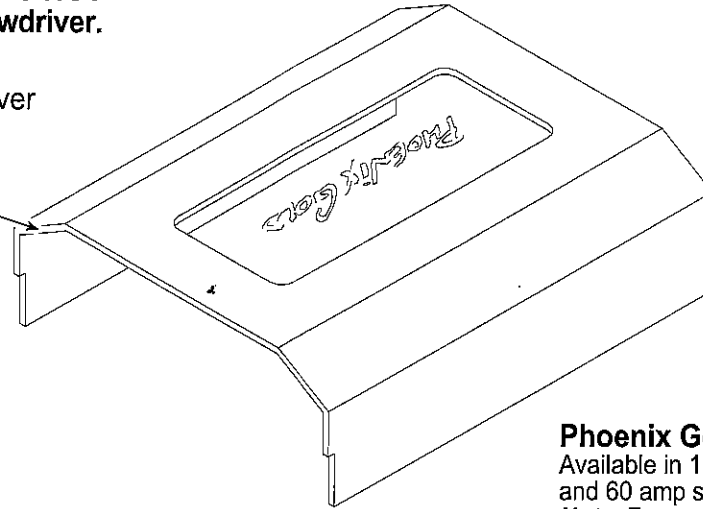
9300 North Decatur - Portland, OR 97203 - Tel: 503.286.9300 - Fax: 503.978.3380

## Installation Instructions

**NO!** To avoid damage, DO NOT pull up on the screwdriver.



**Note:** Wrap the tip of your screwdriver with electrical tape to avoid scratching the powder coated surface of the cover.



**Phoenix Gold KF Fuses (not shown)**  
Available in 30,40,50,60,80,100,125, and 150 amp sizes.

**Note:** For models using dual fuses for a single output, use equal amperage fuses.

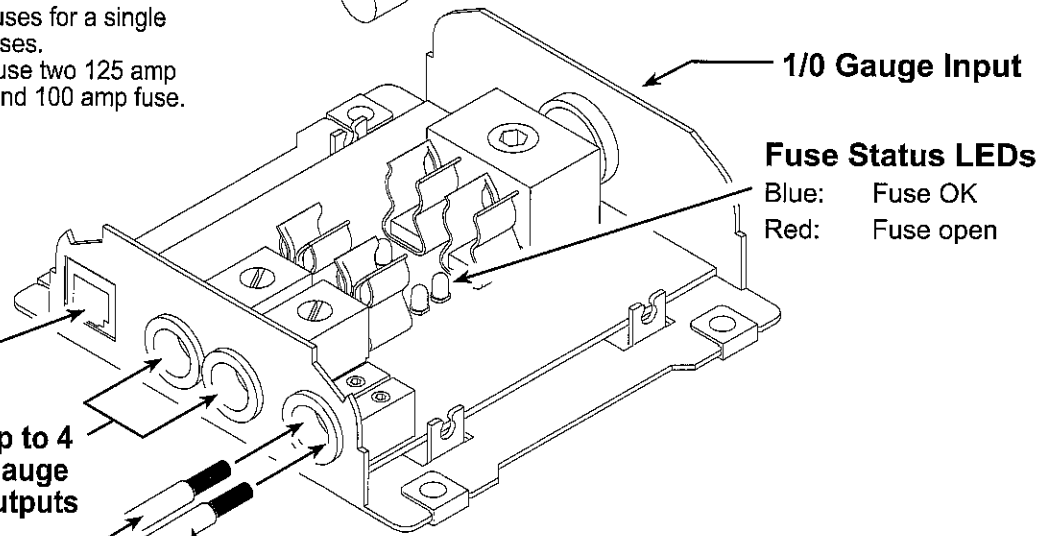
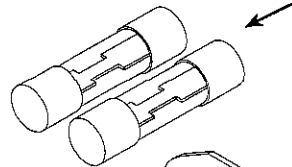
**For Example:** For 250 amps, use two 125 amp fuses. Do not use a 150 amp and 100 amp fuse.

### Phoenix Gold PGU Fuses

Available in 1, 3, 5, 8, 10, 20, 30, 40, 50 and 60 amp sizes.

**Note:** For models using dual fuses for a single output, use equal amperage fuses.

**For Example:** For 100 amps, use two 50 amp fuses. Do not use a 60 amp and 40 amp fuse.



### Output Jack for Optional RMD

Allows remote mounting of a Voltage Monitoring Display. This allows system voltage to be displayed anywhere in the vehicle.

Up to 4 Gauge Outputs

Ground Wire: 10 gauge

Remote Wire: 10 gauge



Phoenix Gold International, Inc.

9300 North Decatur - Portland, OR 97203 - Tel: 503.286.9300 - Fax: 503.978.3380