

**OWNER'S
MANUAL**

QX
AMPLIFIERS



CONTENTS

Features.....	2
Specifications.....	3
PowerFlow™ System.....	4
Input Connections.....	5
System Design, 2 Channel.....	6
System Design, 4 Channel.....	7-11
Trouble-shooting.....	12
French Language Section.....	13-24
Notes.....	25
Warranty Information.....	26



FEATURES

- Built-in, Continuously Variable, 12dB Per Octave, 30 to 600Hz Highpass and Lowpass Crossover with Defeat (QX2180 / QX2350)
- Dual-color LED Indicator for Power-On and Protection (two channel models)
- Adjustable Input Sensitivity Control
- Built-in, Selectable 90 or 125Hz, 12dB Per Octave, Front Highpass Crossover with Defeat (QX4075)
- Built-in, Selectable 70 or 90Hz, 12dB Per Octave, Rear Lowpass Crossover with Defeat (QX4075)
- Built-in, Selectable 90 or 125Hz, 12dB Per Octave, Front Highpass Crossover with Defeat (QX4150)
- Built-in, Continuously Variable, 12dB Per Octave, 30 to 600Hz Rear Highpass or Lowpass Crossover with Defeat (QX4150)
- Separate LED Indicators for Power-On and Protection (QX4075 / QX4150)
- Separate Front & Rear Adjustable Input Sensitivity Controls (QX4075 / QX4150)
- Hi-level Inputs for easy connection to most factory head units (except 4075)
- Adjustable 0 to +15dB "Twin T" 45Hz Bass Boost for all outputs
- Tri-linear™ Capability allows Simultaneous Stereo and Bridged Mono Operation
- Muting Circuitry for Soft Turn-on and Turn-off
- Fully Complimentary Output Stages
- Advanced Overload and Thermal Protection Circuitry
- High Current Buss Bars for all High Current/High Voltage Stages
- PWM MosFet Power Supply
- 24kt Gold Plated High Current Power and Speaker Terminals
- 24kt Gold Plated Signal Input Jacks
- Unique Chrome Powder Coated Finish
- Die Cast Gold Plated Logo Badges
- Isolation Mounting Grommets
- Optional Q-Link Available for Seamless Multiple Amplifier

The QX Series Amplifiers are Designed with an Emphasis on Exceptional Power, Superior Sonic Excellence, High Performance Features and Unmatched Cosmetics.

QX
AMPLIFIERS

SPECIFICATIONS

- Frequency Response.....±1dB 20Hz to 20kHz
- Signal to Noise Ratio (20Hz to 20kHz)>100dB
- Signal Input Sensitivity100 millivolts to 2 volts
- DC Input Voltage Range10 volts to 15.5 volts
- Typical current draw at idle<1.5 amps

QX2350

Output Power:

Into 4 ohms @ 12.5/14.4 VDC100/125 watts x 2
 Into 2 ohms @ 14.4 VDC.....175 watts x 2
 Bridged into 4 ohms @ 14.4 VDC350 watts x 1
 Recommended Fuse Size2 x 20 amp ATO style
 Dimensions of Chassis13.875"L x 8.5"W x 2.0"H
 352mm L x 216mm W x 51mm H

QX2180

Output Power:

Into 4 ohms @ 12.5/14.4 VDC40/55 watts x 2
 Into 2 ohms @ 14.4 VDC.....90 watts x 2
 Bridged into 4 ohms @ 14.4 VDC180 watts x 1
 Recommended Fuse Size30 amp ATO style
 Dimensions of Chassis9.125"L x 8.5"W x 2.0"H
 232mm L x 216mm W x 51mm H

QX4150

Output Power:

Into 4 ohms @ 12.5/14.4 VDC50/60 watts x 4
 Into 2 ohms @ 14.4 VDC.....75 watts x 4
 Bridged into 4 ohms @ 14.4 VDC150 watts x 2
 Recommended Fuse Size2 x 20 amp ATO style
 Dimensions of Chassis13.875"L x 8.5"W x 2.0"H
 352mm L x 216mm W x 51mm H

QX4075

Output Power:

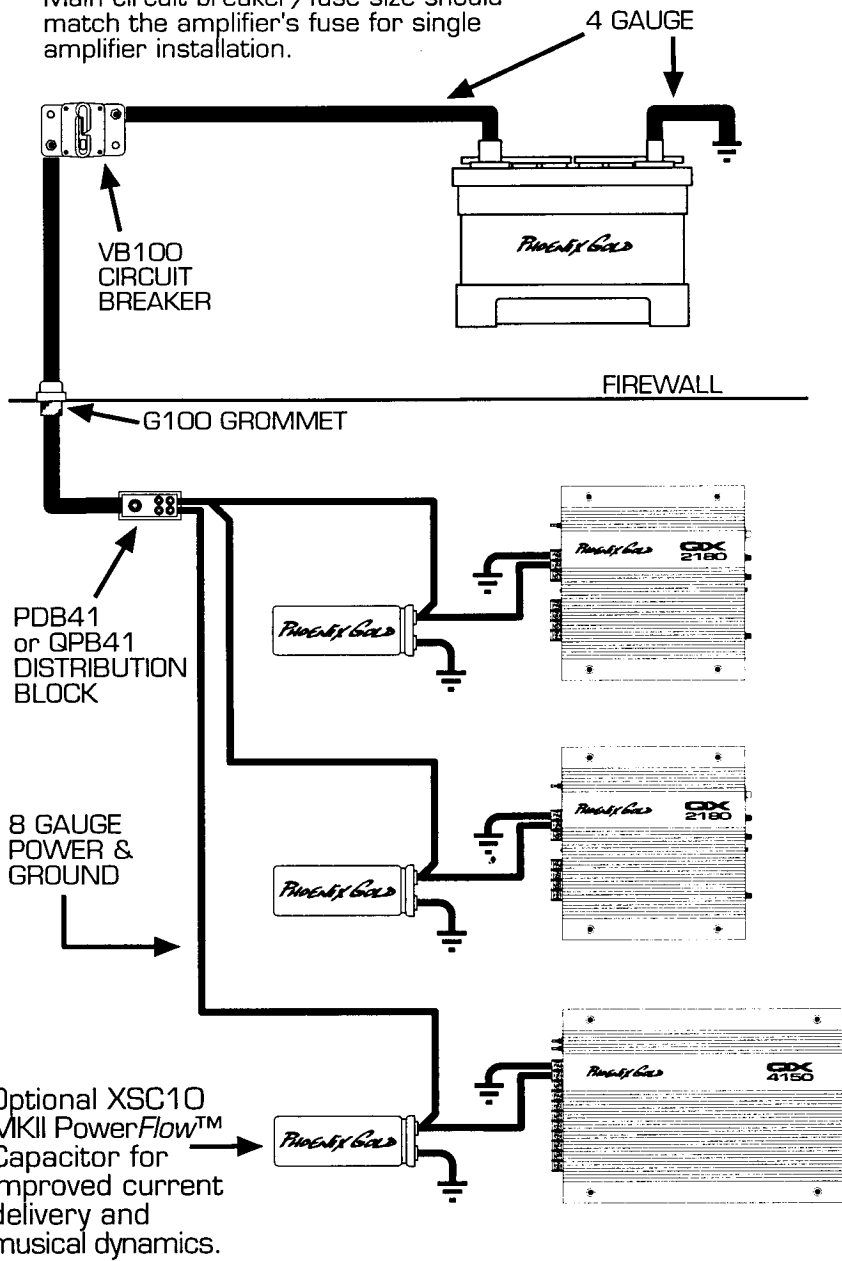
Into 4 ohms @ 12.5/14.4 VDC25/30 watts x 4
 Into 2 ohms @ 14.4 VDC.....40 watts x 4
 Bridged into 4 ohms @ 14.4 VDC75 watts x 2
 Recommended Fuse Size30 amp ATO style
 Dimensions of Chassis11.875"L x 8.5"W x 2.0"H
 302mm L x 216mm W x 51mm H

Due to on-going continuous product development, features, specifications and availability are subject to change without notice.



RECOMMENDED POWERFLOW™ SYSTEM

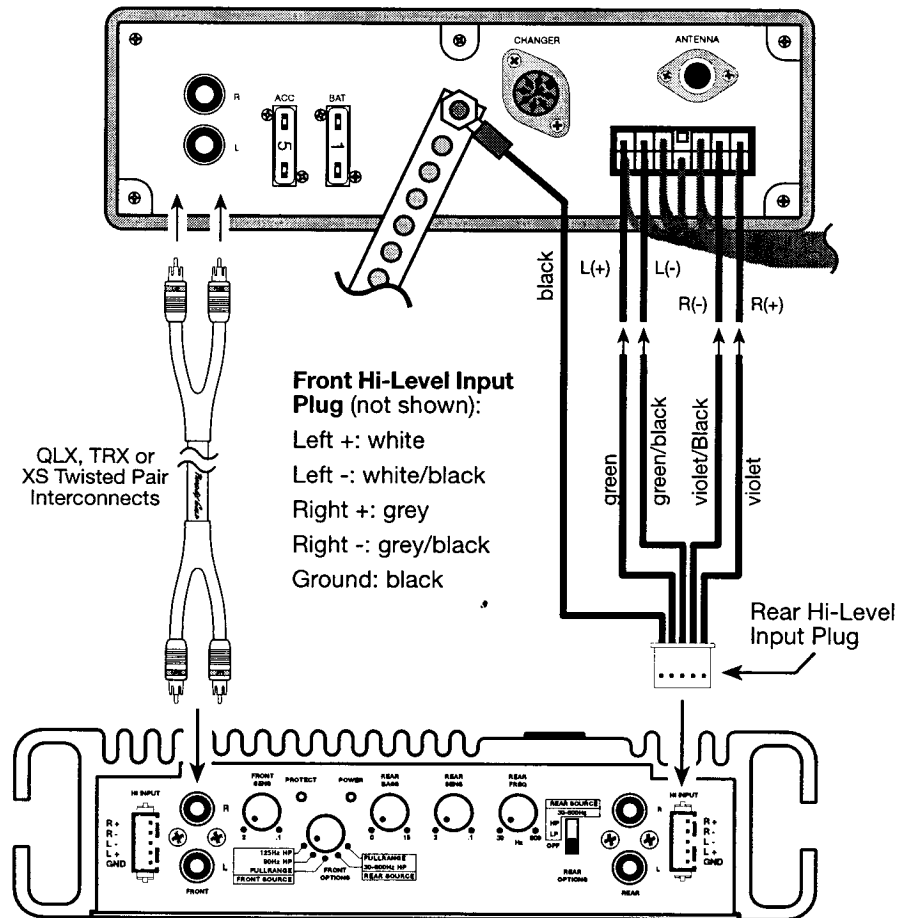
Main circuit breaker/fuse size should match the amplifier's fuse for single amplifier installation.



INPUT CONNECTIONS

Line-Level: Connect high quality RCA style signal cables to the inputs jacks. Use both left *and* right input jacks for stereo, bridged or Tri-Mode operation. For maximum noise rejection, we recommend Phoenix Gold QLX, TRX, or XS series twisted pair signal cables.

Hi-Level: Connect the positive hi-level inputs to the headunit's positive speaker wires. Connect the negative hi-level inputs to the headunit's negative speaker wires. Connect the black hi-level input ground wire to the headunit's chassis.



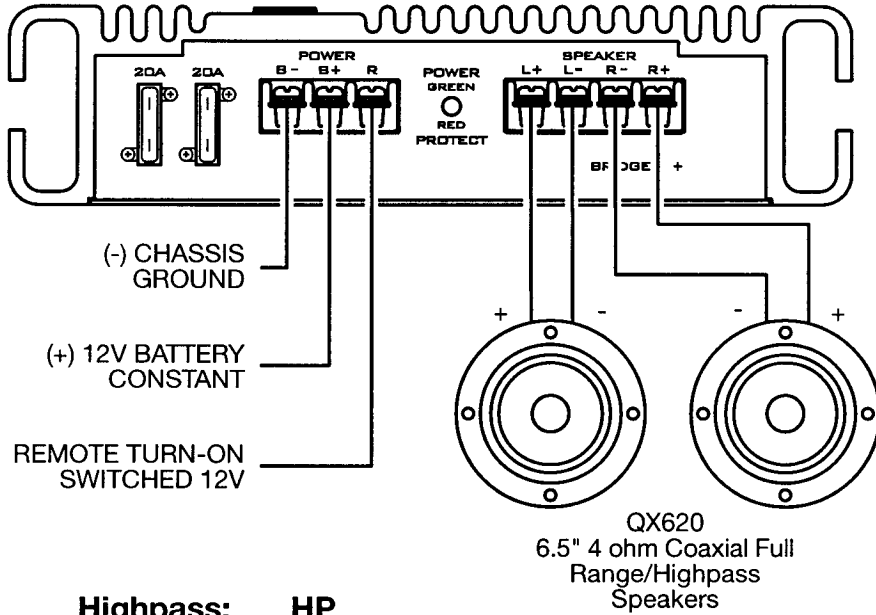
Note: Never use hi-level and line-level inputs on the same half of the amp.

Maximum hi-level input power: **35 watts per channel**

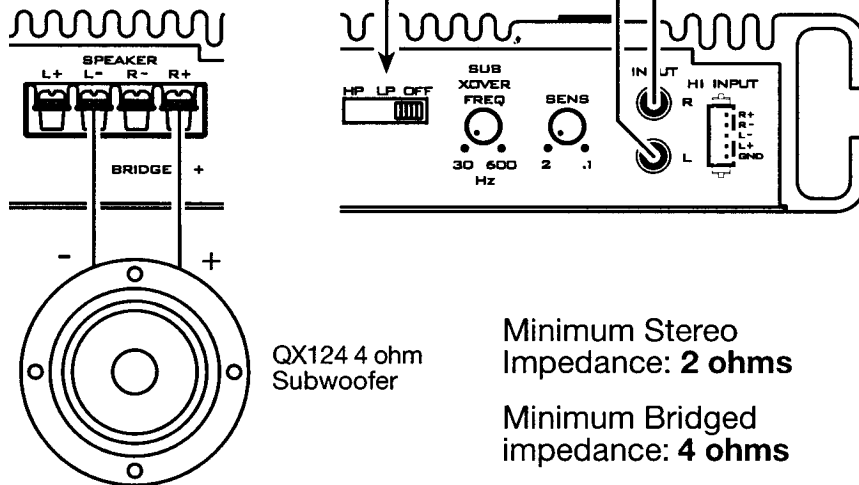


QX2180 - QX2350

Stereo Full Range/Highpass and Bridged Mono Lowpass



Highpass: HP
 Lowpass: LP
 Full Range: OFF

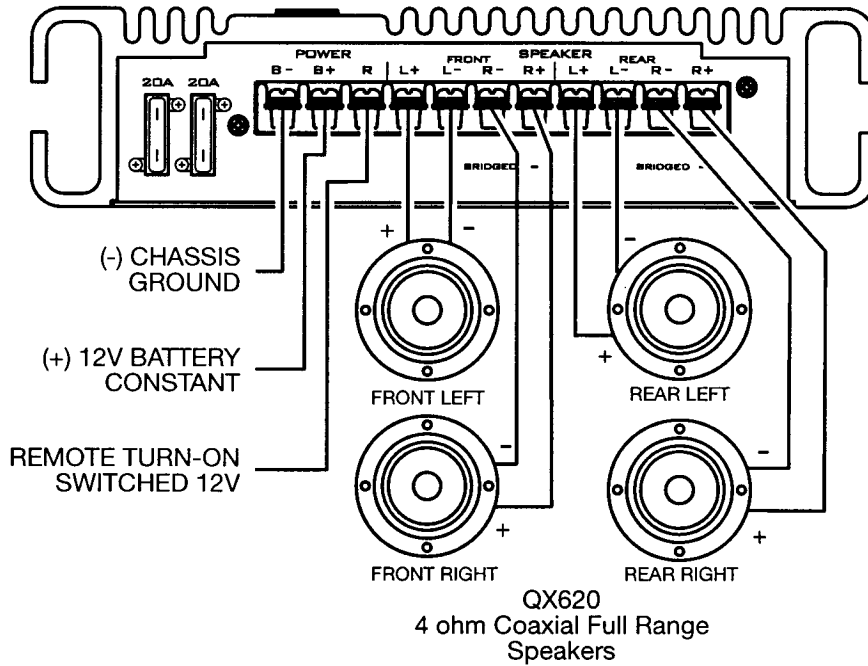


Minimum Stereo Impedance: **2 ohms**

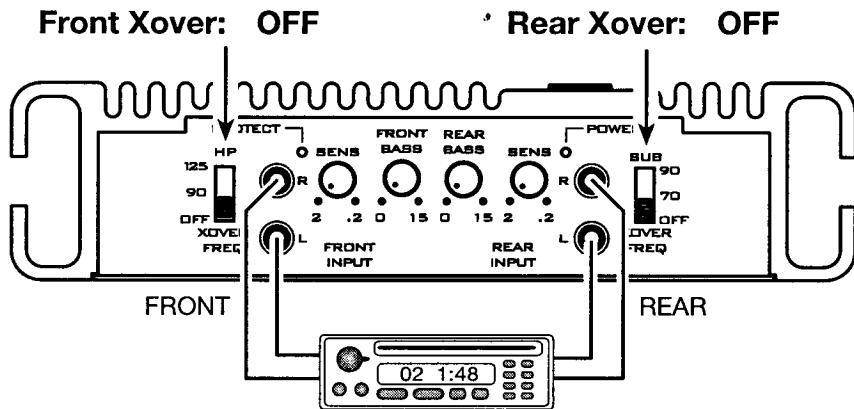
Minimum Bridged impedance: **4 ohms**

QX4075

Front and Rear Full Range Stereo

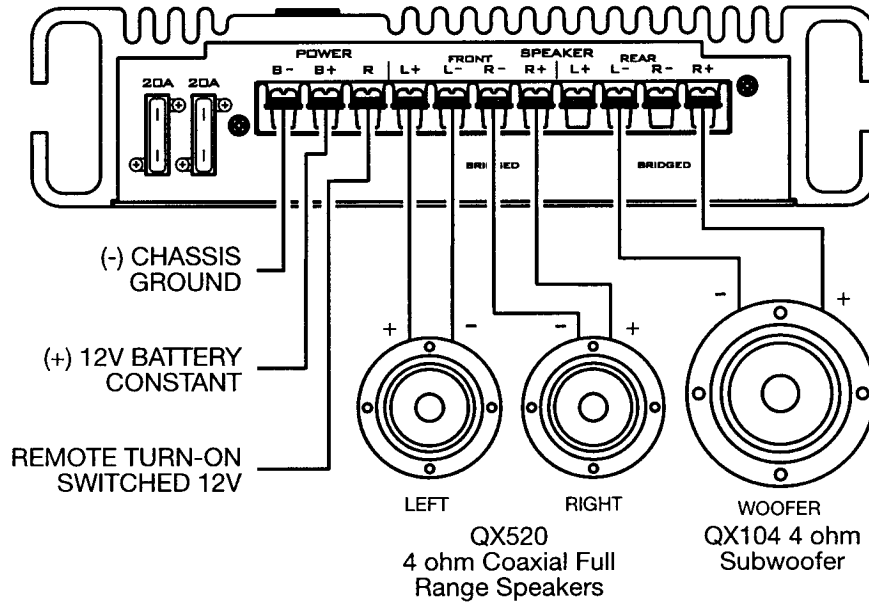


Minimum Stereo Impedance: **2 OHMS**



QX4075

Front Highpass/ Rear Bridged Mono

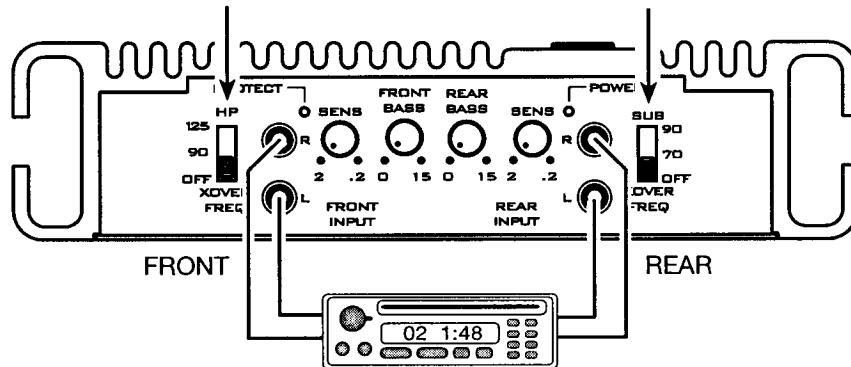


Minimum Stereo Impedance: **2 ohms**

Minimum Bridged impedance: **4 ohms**

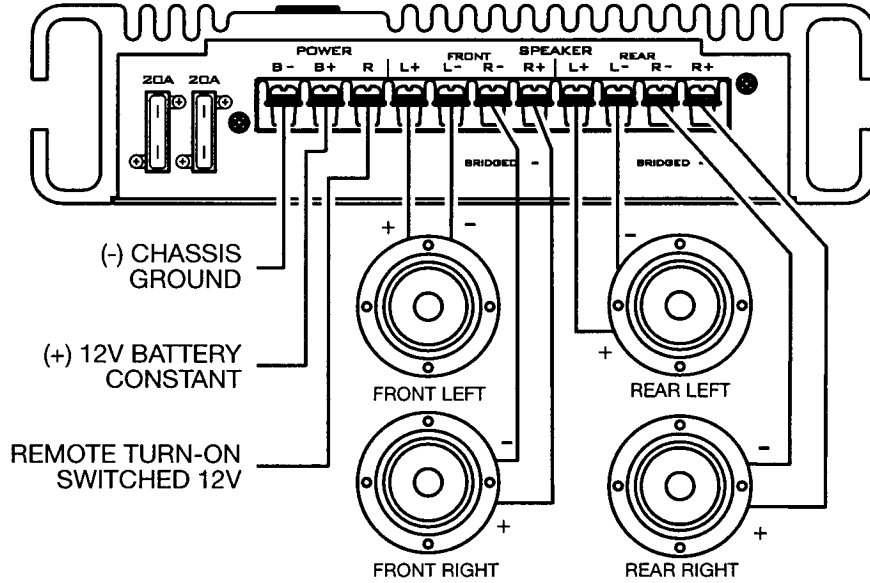
Front Xover: **90 or 125**

Rear Xover: **70 or 90**



QX4150

Front and Rear Full Range Stereo



Minimum Stereo Impedance: **2 OHMS**

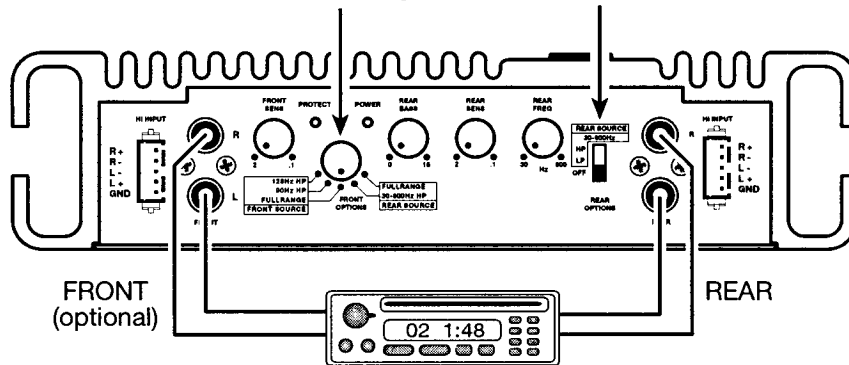
QX620
4 ohm Coaxial Full Range Speakers

Front Options

Fading with front & rear inputs:
Set to Front Source Full Range

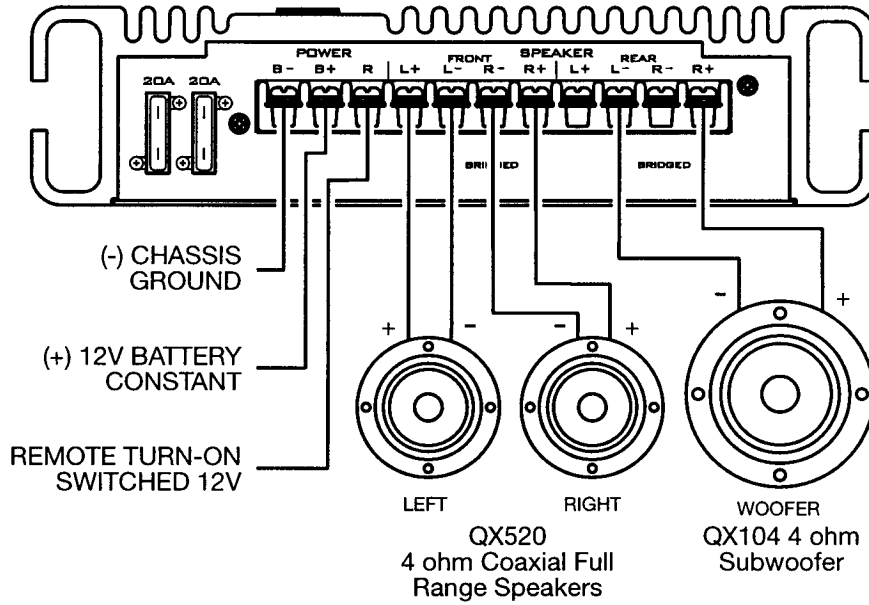
Non-fading with rear inputs:
Set to Rear Source Full Range

Rear Source: OFF



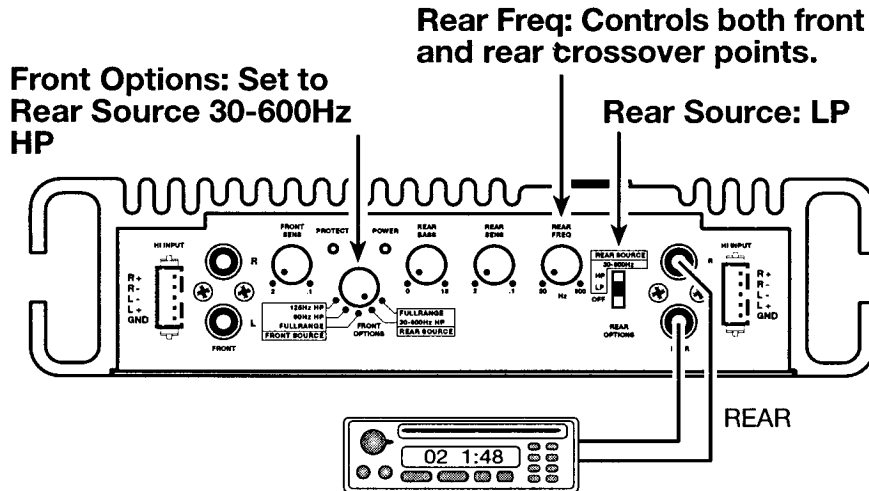
QX4150

Front Highpass / Rear Lowpass with Symetrical Crossover



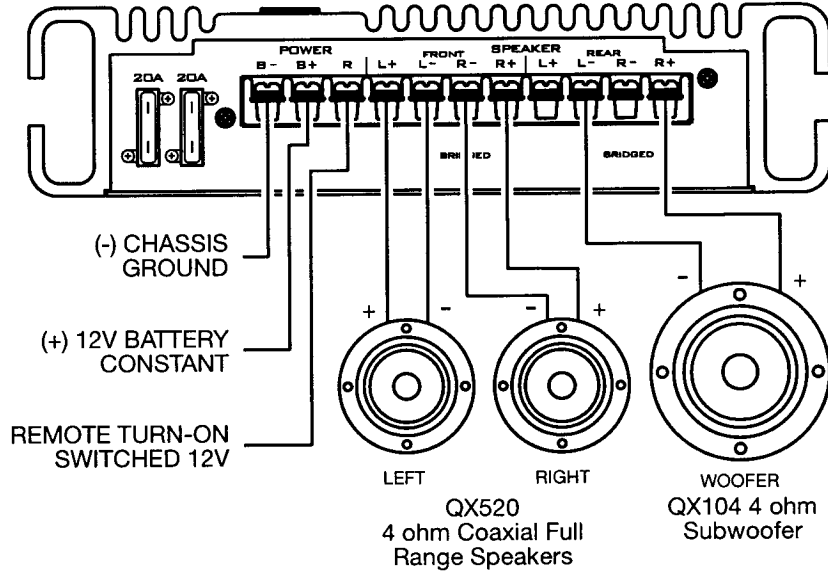
Minimum Stereo Impedance: **2 ohms**

Minimum Bridged impedance: **4 ohms**



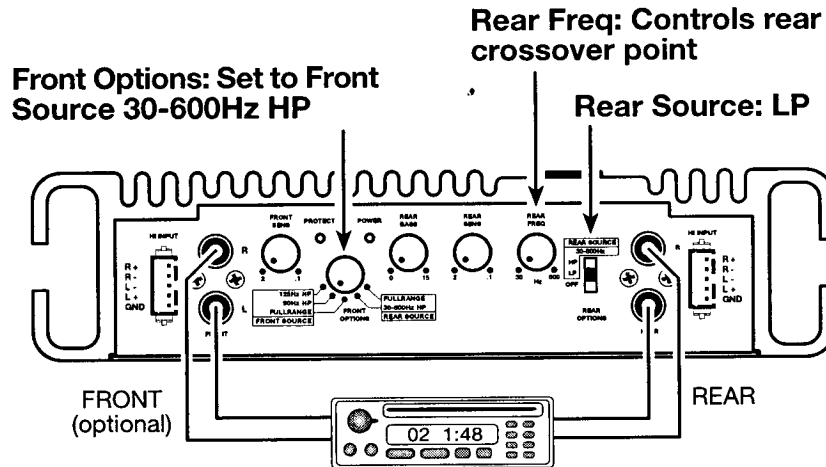
QX4150

Front Highpass / Rear Lowpass with Separate Crossovers



Minimum Stereo Impedance: **2 ohms**

Minimum Bridged impedance: **4 ohms**



TROUBLE-SHOOTING

2

PROBLEM	POSSIBLE CAUSE	SOLUTION
No output and Power-on LED is off	No battery, ground, or remote connection Blown power fuse	Connect B+, B-, and Remote Turn-on to the amplifier Check for a short to chassis ground in the B+ cable. Install a new fuse
No output and Power-on LED is on	No signal from the headunit Faulty input signal cables Faulty speaker or speaker cables	Check the headunit for proper output Try substituting different signal cables Try substituting another speaker or cables
Distorted sound	Clipped input signal Input Sensitivity too high	Make sure the headunit is not producing a clipped signal Lower the input sensitivity
Amplifier cuts off when driven hard	Thermal protection circuit activated (overheat) Overload protection circuit activated (excess current through the outputs)	Check the mounting location for proper ventilation Check for damaged speaker cables, rubbing voice coils, shorted tinsel leads, or low load impedance. Minimum impedance is 2 ohms per channel

LIMITED WARRANTY

Phoenix Gold provides a limited warranty on all electronics (free of manufacturing defects in materials and/or workmanship) to the original consumer/purchaser for a period of eighteen (18) months when installed by an Authorized Phoenix Gold Mobile Electronics Retailer. Returning a copy of the original sales receipt with the warranty registration card extends the period to thirty-six (36) months. The limited warranty period is thirty (30) days if installed by anyone other than an Authorized Phoenix Gold Mobile Electronics Retailer. We will cover parts and labor provided the product was purchased from an Authorized Phoenix Gold Retailer. This Warranty does not apply to any product where the tags and/or serial numbers have been cut, removed, tampered or altered in any manner. This limited warranty is applicable to only the original consumer/purchaser and is not transferable. Electronics that are deemed defective during the warranty period will be repaired or replaced at the discretion of Phoenix Gold. Repaired or replaced product will be covered until the original warranty period expires. Phoenix Gold will not be responsible for any incidental or consequential damages that may result from a defect in the product. Select states may not allow the exclusion or limitation of incidental or consequential damages, so the prior limitations may not apply.

GUARANTEE LIMITÉE

Phoenix Gold vous procure une garantie limitée sur tout ses électroniques pour une période de 12 mois dans le cas où ils ont été installés par un revendeur agréé de Phoenix Gold. Si l'installation a été faite par autrui, la garantie se limite à 30 jours. Les pièces détachées et la main d'œuvre utilisés pour les réparations seront couverts durant la période de garantie si vous avez acheté le produit chez un revendeur agréé de Phoenix Gold. En cas d'absence du numéro de série, ou un déplacement du numéro de série, la garantie ne sera plus appliquée. La garantie est seulement applicable pour le premier acheteur/consommateur et n'est donc pas transférable. Les électroniques qui sont défectueuses durant la période de garantie peuvent seulement être réparées par des services techniques approuvés par le distributeur officiel de Phoenix Gold afin que la garantie soit applicable. Phoenix Gold ne sera pas responsable pour tout endommagements qui peuvent résulter d'un manquement du produit Phoenix Gold.

Magasin _____

Numéro de Téléphone _____

Nom du Revendeur _____

Type _____

Numéro de Série _____



PHOENIX GOLD

PHOENIX GOLD INTERNATIONAL, INC.®

9300 North Decatur • Portland, OR 97203
Tel: 503.288.2008 • Fax: 503.978.3380

In Canada: Trends Electronics Int'l Ltd.
112 Phillip Ave. • North Vancouver, B.C. V7P-2V6
Tel: 604.988.2966 • Fax: 604.988.4122

In Europe: Phoenix Gold Europe
P.O. Box 390 • Mechelen • Belgium
Fax: 32.15.43.10.70

8100.0137B
USA